

Pseudowire Redundancy on the Switching Provider Edge (S-PE)

Abstract

This document describes Multi-Segment Pseudowire (MS-PW) protection scenarios in which pseudowire redundancy is provided on the Switching Provider Edge (S-PE) as defined in RFC 5659. Operations of the S-PEs that provide PW redundancy are specified in this document. Signaling of the Preferential Forwarding status as defined in RFCs 6870 and 6478 is reused. This document does not require any change to the Terminating Provider Edges (T-PEs) of MS-PW.

Status of This Memo

This is an Internet Standards Track document.

This document is a product of the Internet Engineering Task Force (IETF). It represents the consensus of the IETF community. It has received public review and has been approved for publication by the Internet Engineering Steering Group (IESG). Further information on Internet Standards is available in Section 2 of RFC 5741.

Information about the current status of this document, any errata, and how to provide feedback on it may be obtained at <http://www.rfc-editor.org/info/rfc7795>.

Copyright Notice

Copyright (c) 2016 IETF Trust and the persons identified as the document authors. All rights reserved.

This document is subject to BCP 78 and the IETF Trust's Legal Provisions Relating to IETF Documents (<http://trustee.ietf.org/license-info>) in effect on the date of publication of this document. Please review these documents carefully, as they describe your rights and restrictions with respect to this document. Code Components extracted from this document must include Simplified BSD License text as described in Section 4.e of the Trust Legal Provisions and are provided without warranty as described in the Simplified BSD License.

Table of Contents

1. Introduction	2
2. Typical Scenarios of PW Redundancy on S-PE	3
2.1. MS-PW Redundancy on S-PE	3
2.2. MS-PW Redundancy on S-PE with S-PE Protection	4
3. S-PE Operations	4
4. Applications of PW Redundancy on S-PE	5
4.1. Applications in Scenario 1	5
4.2. Applications in Scenario 2	6
5. VCCV Considerations	7
6. Security Considerations	7
7. References	7
7.1. Normative References	7
7.2. Informative References	8
Acknowledgements	9
Authors' Addresses	9

1. Introduction

[RFC6718] describes the framework and requirements for pseudowire (PW) redundancy, and [RFC6870] specifies a PW redundancy mechanism for scenarios where a set of redundant PWs are configured between Provider Edge (PE) nodes in Single-Segment Pseudowire (SS-PW) [RFC3985] applications, or between Terminating Provider Edge (T-PE) nodes in Multi-Segment Pseudowire (MS-PW) [RFC5659] applications.

In some MS-PW scenarios, there are benefits of providing PW redundancy on Switching Provider Edges (S-PEs), such as reducing the burden on the access T-PE nodes and enabling faster protection switching compared to the end-to-end MS-PW protection mechanisms.

This document describes some scenarios in which PW redundancy is provided on S-PEs and specifies the operations of the S-PEs. The S-PEs connect to the neighboring T-PEs or S-PEs with PW segments. For the S-PE that provides PW redundancy for an MS-PW, there is a single PW segment on one side, which is called the single-homed side, and there are multiple PW segments on the other side, which is called the multi-homed side. The scenario in which the S-PE has two multi-homed sides is out of scope. Signaling of the Preferential Forwarding status as defined in [RFC6870] and [RFC6478] is reused. This document does not require any change to the T-PEs of MS-PW.

The key words "MUST", "MUST NOT", "REQUIRED", "SHALL", "SHALL NOT", "SHOULD", "SHOULD NOT", "RECOMMENDED", "MAY", and "OPTIONAL" in this document are to be interpreted as described in RFC 2119 [RFC2119].

2. Typical Scenarios of PW Redundancy on S-PE

In some MS-PW deployment scenarios, there are benefits of providing PW redundancy on S-PEs. This section describes typical scenarios of PW redundancy on S-PE.

2.1. MS-PW Redundancy on S-PE

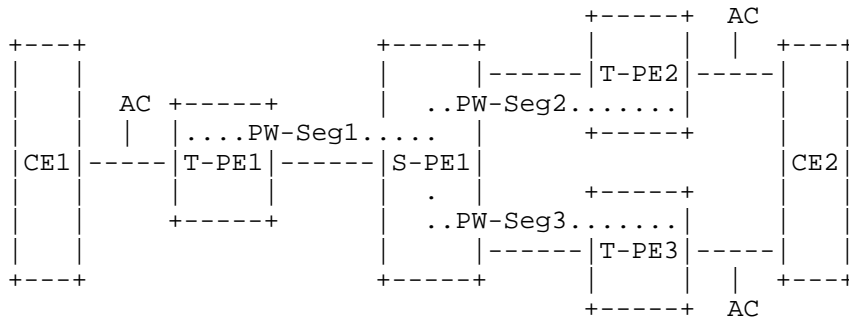


Figure 1: MS-PW Redundancy on S-PE

As illustrated in Figure 1, Customer Edge (CE) node CE1 is connected to T-PE1 while CE2 is dual-homed to T-PE2 and T-PE3. T-PE1 is connected to S-PE1 only, and S-PE1 is connected to both T-PE2 and T-PE3. The MS-PW is switched on S-PE1, and PW segments PW-Seg2 and PW-Seg3 provide resiliency on S-PE1 for the failure of T-PE2, T-PE3, or the connected Attachment Circuits (ACs). PW-Seg2 is selected as the primary PW segment, and PW-Seg3 is the secondary PW segment.

MS-PW redundancy on S-PE is beneficial for the scenario in Figure 1 since T-PE1 as an access node may not support PW redundancy. Besides, with PW redundancy on S-PE, the number of PW segments required between T-PE1 and S-PE1 is only half of the number of PW segments needed when end-to-end MS-PW redundancy is used. In addition, in this scenario, PW redundancy on S-PE could provide faster protection switching, compared with end-to-end protection switching of MS-PW.

2.2. MS-PW Redundancy on S-PE with S-PE Protection

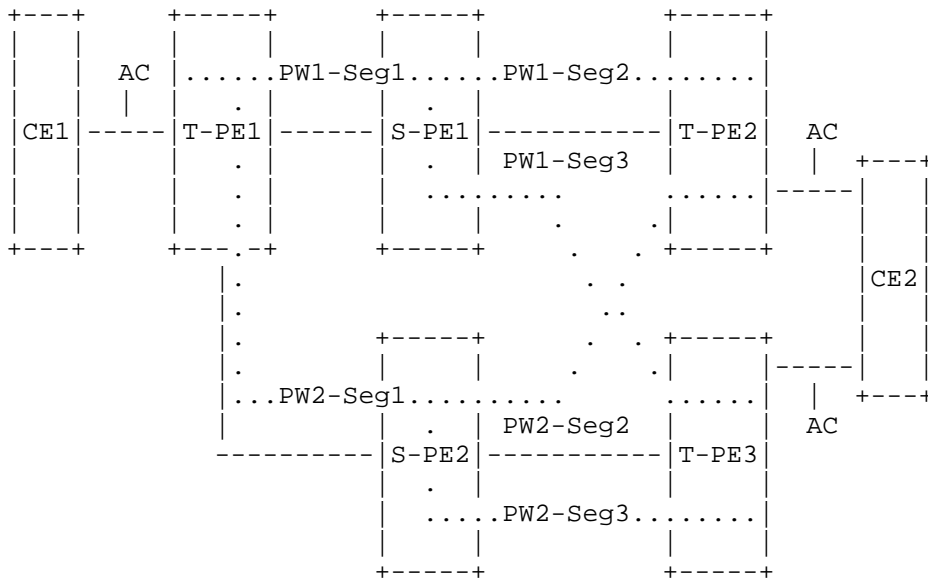


Figure 2: MS-PW Redundancy on S-PE with S-PE Protection

As illustrated in Figure 2, CE1 is connected to T-PE1 while CE2 is dual-homed to T-PE2 and T-PE3. T-PE1 is connected to both S-PE1 and S-PE2, and both S-PE1 and S-PE2 are connected to both T-PE2 and T-PE3. There are two MS-PWs that are switched at S-PE1 and S-PE2, respectively, to provide S-PE node protection. For PW1, S-PE1 provides resiliency using PW1-Seg2 and PW1-Seg3. For PW2, S-PE2 provides resiliency using PW2-Seg2 and PW2-Seg3. PW1 is the primary MS-PW, and PW1-Seg2 between S-PE1 and T-PE2 is the primary PW segment. PW2 is the secondary MS-PW.

MS-PW redundancy on S-PE is beneficial for this scenario because it reduces the number of end-to-end MS-PWs required for both T-PE and S-PE protection. In addition, PW redundancy on S-PE could provide faster protection switching, compared with end-to-end protection switching of MS-PW.

3. S-PE Operations

For an S-PE that provides PW redundancy for MS-PW, it is important to advertise the proper preferential forwarding status to the PW segments on both sides and perform protection switching according to the received status information. Note that when PW redundancy for MS-PW is provided on S-PE, the optional S-PE Bypass mode as defined

in [RFC6478] MUST NOT be used; otherwise, the S-PE will not receive the PW status messages originated by T-PEs. This section specifies the operations of S-PEs on which PW redundancy is provisioned. This section does not make any change to the T-PEs of MS-PW.

The S-PEs connect to the neighboring T-PEs or other S-PEs on two sides with PW segments. For the S-PE that provides PW redundancy for an MS-PW, on one side there is a single PW segment, which is called the single-homed side, and on the other side there are multiple PW segments, which is called the multi-homed side. The scenario in which the S-PE has two multi-homed sides is out of scope.

The S-PE that provides PW redundancy MUST work in Slave mode for the single-homed side, and MUST work in Independent mode for the multi-homed side. Consequently, the T-PE on the single-homed side MUST work in the Master mode, and the T-PEs on the multi-homed side MUST work in the Independent mode. The signaling of the Preferential Forwarding bit as defined in [RFC6870] and [RFC6478] is reused.

The S-PE MUST pass the Preferential Forwarding status received from the single-homed side unchanged to all the PW segments on the multi-homed side. The S-PE MUST advertise the Standby Preferential Forwarding status to the single-homed side if it receives Standby status from all the PW segments on the multi-homed side, and it MUST advertise the Active Preferential Forwarding status to the single-homed side if it receives Active status from any of the PW segments on the multi-homed side. For the single-homed side, the active PW segment is determined by the T-PE on this side, which works in the Master mode. On the multi-homed side, since both the S-PE and T-PEs work in the Independent mode, the PW segment which has both the local and remote Up/Down status as Up and both the local and remote Preferential Forwarding status as Active MUST be selected for traffic forwarding. When a switchover happens on the S-PE, if the S-PE supports the SP-PE TLV processing as defined in [RFC6073], it SHOULD advertise the updated SP-PE TLVs by sending a Label Mapping message to the T-PEs.

4. Applications of PW Redundancy on S-PE

4.1. Applications in Scenario 1

For the scenario in Figure 1, assume the AC from CE2 to T-PE2 is active. In normal operation, S-PE1 would receive the Active Preferential Forwarding status bit on the single-homed side from T-PE1, then it would advertise the Active Preferential Forwarding status bit on both PW-Seg2 and PW-Seg3. T-PE2 and T-PE3 would advertise the Active and Standby Preferential Forwarding status bit to S-PE1, respectively, reflecting the forwarding state of the two

ACs connected to CE2. By matching the local and remote Up/Down status and Preferential Forwarding status, PW-Seg2 would be used for traffic forwarding.

On failure of the AC between CE2 and T-PE2, the forwarding state of AC on T-PE3 is changed to Active. T-PE3 then advertises the Active Preferential Forwarding status to S-PE1, and T-PE2 would advertise a PW status Notification message to S-PE1, indicating that the AC between CE2 and T-PE2 is down. S-PE1 would perform the switchover according to the updated local and remote Preferential Forwarding status and the status of "Pseudowire forwarding", and select PW-Seg3 as the new PW segment for traffic forwarding. Since S-PE1 still connects to an Active PW segment on the multi-homed side, it will not advertise any change of the PW status to T-PE1. If S-PE1 supports the SP-PE TLV processing as defined in [RFC6073], it would advertise the updated SP-PE TLVs by sending a Label Mapping message to T-PE1.

4.2. Applications in Scenario 2

For the scenario of Figure 2, assume the AC from CE2 to T-PE2 is active. T-PE1 works in Master mode and it would advertise the Active and Standby Preferential Forwarding status bit to S-PE1 and S-PE2 respectively according to configuration. According to the received Preferential Forwarding status bit, S-PE1 would advertise the Active Preferential Forwarding status bit to both T-PE2 and T-PE3, and S-PE2 would advertise the Standby Preferential Forwarding status bit to both T-PE2 and T-PE3. T-PE2 would advertise the Active Preferential Forwarding status bit to both S-PE1 and S-PE2, and T-PE3 would advertise the Standby Preferential Forwarding status bit to both S-PE1 and S-PE2, reflecting the forwarding state of the two ACs connected to CE2. By matching the local and remote Up/Down Status and Preferential Forwarding status, PW1-Seg2 from S-PE1 to T-PE2 would be used for traffic forwarding. Since S-PE1 connects to the Active PW segment on the multi-homed side, it would advertise the Active Preferential Forwarding status bit to T-PE1, and S-PE2 would advertise the Standby Preferential Forwarding status bit to T-PE1 because it does not have any Active PW segment on the multi-homed side.

On failure of the AC between CE2 and T-PE2, the forwarding state of AC on T-PE3 is changed to Active. T-PE3 would then advertise the Active Preferential Forwarding status bit to both S-PE1 and S-PE2, and T-PE2 would advertise a PW status Notification message to both S-PE1 and S-PE2, indicating that the AC between CE2 and T-PE2 is down. S-PE1 would perform the switchover according to the updated local and remote Preferential Forwarding status and the status of "Pseudowire forwarding", and select PW1-Seg3 for traffic forwarding. Since S-PE1 still has an Active PW segment on the multi-homed side,

it would not advertise any change of the PW status to T-PE1. If S-PE1 supports the SP-PE TLV processing as defined in [RFC6073], it would advertise the updated SP-PE TLVs by sending a Label Mapping message to T-PE1.

If S-PE1 fails, T-PE1 would notice this through some detection mechanism and then advertise the Active Preferential Forwarding status bit to S-PE2, and PW2-Seg1 would be selected by T-PE1 for traffic forwarding. On receipt of the newly changed Preferential Forwarding status, S-PE2 would advertise the Active Preferential Forwarding status to both T-PE2 and T-PE3. T-PE2 and T-PE3 would also notice the failure of S-PE1 by some detection mechanism. Then by matching the local and remote Up/Down and Preferential Forwarding status, PW2-Seg2 would be selected for traffic forwarding.

5. VCCV Considerations

For PW Virtual Circuit Connectivity Verification (VCCV) [RFC5085], the Control Channel (CC) type 1 "PW ACH" can be used with the S-PE redundancy mechanism. VCCV CC type 2 "Router Alert Label" is not supported for MS-PW as specified in [RFC6073]. If VCCV CC type 3 "TTL Expiry" is to be used, the PW label TTL MUST be set to the appropriate value to reach the target PE. The hop count from one T-PE to the target PE can be obtained via SP-PE TLVs, through MS-PW path trace, or based on management-plane information.

6. Security Considerations

Since PW redundancy is provided on the S-PE nodes of MS-PWs, it is important that the security mechanisms as defined in [RFC4447], [RFC6073], and [RFC6478] be implemented to ensure that the S-PE nodes and the messages sent and received by the S-PE nodes are not compromised.

7. References

7.1. Normative References

- [RFC2119] Bradner, S., "Key words for use in RFCs to Indicate Requirement Levels", BCP 14, RFC 2119, DOI 10.17487/RFC2119, March 1997, <<http://www.rfc-editor.org/info/rfc2119>>.
- [RFC4447] Martini, L., Ed., Rosen, E., El-Aawar, N., Smith, T., and G. Heron, "Pseudowire Setup and Maintenance Using the Label Distribution Protocol (LDP)", RFC 4447, DOI 10.17487/RFC4447, April 2006, <<http://www.rfc-editor.org/info/rfc4447>>.

- [RFC6073] Martini, L., Metz, C., Nadeau, T., Bocci, M., and M. Aissaoui, "Segmented Pseudowire", RFC 6073, DOI 10.17487/RFC6073, January 2011, <<http://www.rfc-editor.org/info/rfc6073>>.
- [RFC6478] Martini, L., Swallow, G., Heron, G., and M. Bocci, "Pseudowire Status for Static Pseudowires", RFC 6478, DOI 10.17487/RFC6478, May 2012, <<http://www.rfc-editor.org/info/rfc6478>>.
- [RFC6870] Muley, P., Ed. and M. Aissaoui, Ed., "Pseudowire Preferential Forwarding Status Bit", RFC 6870, DOI 10.17487/RFC6870, February 2013, <<http://www.rfc-editor.org/info/rfc6870>>.

7.2. Informative References

- [RFC3985] Bryant, S., Ed. and P. Pate, Ed., "Pseudo Wire Emulation Edge-to-Edge (PWE3) Architecture", RFC 3985, DOI 10.17487/RFC3985, March 2005, <<http://www.rfc-editor.org/info/rfc3985>>.
- [RFC5085] Nadeau, T., Ed. and C. Pignataro, Ed., "Pseudowire Virtual Circuit Connectivity Verification (VCCV): A Control Channel for Pseudowires", RFC 5085, DOI 10.17487/RFC5085, December 2007, <<http://www.rfc-editor.org/info/rfc5085>>.
- [RFC5659] Bocci, M. and S. Bryant, "An Architecture for Multi-Segment Pseudowire Emulation Edge-to-Edge", RFC 5659, DOI 10.17487/RFC5659, October 2009, <<http://www.rfc-editor.org/info/rfc5659>>.
- [RFC6718] Muley, P., Aissaoui, M., and M. Bocci, "Pseudowire Redundancy", RFC 6718, DOI 10.17487/RFC6718, August 2012, <<http://www.rfc-editor.org/info/rfc6718>>.

Acknowledgements

The authors would like to thank Mach Chen, Lizhong Jin, Mustapha Aissaoui, Luca Martini, Matthew Bocci, and Stewart Bryant for their valuable comments and discussions.

Authors' Addresses

Jie Dong
Huawei Technologies
Huawei Building, No.156 Beiqing Rd.
Beijing 100095
China

Email: jie.dong@huawei.com

Haibo Wang
Huawei Technologies
Huawei Building, No.156 Beiqing Rd.
Beijing 100095
China

Email: rainsword.wang@huawei.com

