

Internet Engineering Task Force (IETF)  
Request for Comments: 8104  
Category: Standards Track  
ISSN: 2070-1721

Y. Shen  
Juniper Networks  
R. Aggarwal  
Arktan, Inc.  
W. Henderickx  
Nokia  
Y. Jiang  
Huawei Technologies Co., Ltd.  
March 2017

## Pseudowire (PW) Endpoint Fast Failure Protection

### Abstract

This document specifies a fast mechanism for protecting pseudowires (PWs) transported by IP/MPLS tunnels against egress endpoint failures, including egress attachment circuit (AC) failure, egress provider edge (PE) failure, multi-segment PW terminating PE failure, and multi-segment PW switching PE failure. Operating on the basis of multihomed customer edge (CE), redundant PWs, upstream label assignment, and context-specific label switching, the mechanism enables local repair to be performed by the router upstream adjacent to a failure. The router can restore a PW in the order of tens of milliseconds, by rerouting traffic around the failure to a protector through a pre-established bypass tunnel. Therefore, the mechanism can be used to reduce traffic loss before global repair reacts to the failure and the network converges on the topology changes due to the failure.

### Status of This Memo

This is an Internet Standards Track document.

This document is a product of the Internet Engineering Task Force (IETF). It represents the consensus of the IETF community. It has received public review and has been approved for publication by the Internet Engineering Steering Group (IESG). Further information on Internet Standards is available in Section 2 of RFC 7841.

Information about the current status of this document, any errata, and how to provide feedback on it may be obtained at <http://www.rfc-editor.org/info/rfc8104>.

## Copyright Notice

Copyright (c) 2017 IETF Trust and the persons identified as the document authors. All rights reserved.

This document is subject to BCP 78 and the IETF Trust's Legal Provisions Relating to IETF Documents (<http://trustee.ietf.org/license-info>) in effect on the date of publication of this document. Please review these documents carefully, as they describe your rights and restrictions with respect to this document. Code Components extracted from this document must include Simplified BSD License text as described in Section 4.e of the Trust Legal Provisions and are provided without warranty as described in the Simplified BSD License.

## Table of Contents

1.	Introduction	4
2.	Specification of Requirements	5
3.	Reference Models for Egress Endpoint Failures	5
3.1.	Single-Segment PW	6
3.2.	Multi-Segment PW	9
4.	Theory of Operation	10
4.1.	Applicability	10
4.2.	Local Repair	11
4.3.	Context Identifier	14
4.3.1.	Semantics	15
4.3.2.	FEC	16
4.3.3.	IGP Advertisement and Path Computation	16
4.4.	Protection Models	17
4.4.1.	Co-located Protector	17
4.4.2.	Centralized Protector	19
4.5.	Transport Tunnel	20
4.6.	Bypass Tunnel	21
4.7.	Examples of Forwarding State	22
4.7.1.	Co-located Protector Model	22
4.7.2.	Centralized Protector Model	26
5.	Restorative and Revertive Behaviors	29
6.	LDP Extensions	30
6.1.	Egress Protection Capability TLV	31
6.2.	PW Label Distribution from Primary PE to Protector	32
6.3.	PW Label Distribution from Backup PE to Protector	33
6.4.	Protection FEC Element TLV	34
6.4.1.	Encoding Format for PWid with IPv4 PE Addresses	35
6.4.2.	Encoding Format for Generalized PWid with IPv4 PE Addresses	36
6.4.3.	Encoding Format for PWid with IPv6 PE Addresses	37
6.4.4.	Encoding Format for Generalized PWid with IPv6 PE Addresses	38
7.	IANA Considerations	39
8.	Security Considerations	40
9.	References	40
9.1.	Normative References	40
9.2.	Informative References	41
	Acknowledgements	43
	Authors' Addresses	43

## 1. Introduction

Per [RFC3985], [RFC8077], and [RFC5659], a pseudowire (PW) or PW segment can be thought of as a connection between a pair of forwarders hosted by two PEs, carrying an emulated Layer 2 service over a packet switched network (PSN). In the single-segment PW (SS-PW) case, a forwarder binds a PW to an attachment circuit (AC). In the multi-segment PW (MS-PW) case, a forwarder on a terminating PE (T-PE) binds a PW segment to an AC, while a forwarder on a switching PE (S-PE) binds one PW segment to another PW segment. In each direction between the PEs, PW packets are transported by a PSN tunnel, which is also called a transport tunnel.

In order to protect the PW service against network failures, it is necessary to protect every link and node along the entire data path. For the traffic in a given direction, this includes ingress AC, ingress (T-)PE, intermediate routers of the transport tunnel, S-PEs, egress (T-)PE, and egress AC. To minimize service disruption upon a failure, it is also desirable that each of these components is protected by a fast protection mechanism based on local repair. Such mechanisms generally involve a bypass path that is pre-computed and pre-installed in the data plane on the router upstream adjacent to an anticipated failure. This router is referred to as a "point of local repair" (PLR). The bypass path has the property that it can guide traffic around the failure, while remaining unaffected by the topology changes resulting from the failure. When the failure occurs, the PLR can invoke the bypass path to achieve fast restoration for the service.

Today, fast protection against ingress AC failure and ingress (T-)PE failure can be achieved by using a multihomed CE and redundant ACs, such as a multi-chassis link aggregation group (MC-LAG). Fast protection against the failure of an intermediate router of the transport tunnel can be achieved through RSVP fast reroute [RFC4090] or IP/LDP fast reroute [RFC5286] [RFC5714]. However, there is no equivalent mechanism that can be used against an egress AC failure, an egress (T-)PE failure, or an S-PE failure. For these failures, service restoration has to rely on global repair or control-plane convergence. Global repair normally involves the ingress CE or the ingress (T-)PE switching traffic to an alternative path, based on remote failure detection via PW status notification, end-to-end Operations, Administration, and Maintenance (OAM), and others. Control-plane convergence relies on control protocols to react on the topology changes due to a failure. Compared to local repair, these mechanisms are relatively slow in reacting to a failure and restoring traffic.

This document addresses the above need. It specifies a fast protection mechanism based on local repair to protect PWs against the following endpoint failures:

- a. Egress AC failure.
- b. Egress PE failure: Link or node failure of an egress PE of an SS-PW or a T-PE of an MS-PW.
- c. Switching PE failure: Link or node failure of an S-PE of an MS-PW.

The mechanism is applicable to LDP-signaled PWs. It is relevant to networks with redundant PWs and multihomed CEs. It is designed on the basis of MPLS upstream label assignment and context-specific label switching [RFC5331]. Fast protection refers to its ability to restore traffic in the order of tens of milliseconds. Compared with global repair and control-plane convergence, this mechanism can provide faster service restoration. However, it is intended to complement these mechanisms, rather than replacing them, as networks rely on them to eventually move traffic to fully functional alternative paths.

## 2. Specification of Requirements

The key words "MUST", "MUST NOT", "REQUIRED", "SHALL", "SHALL NOT", "SHOULD", "SHOULD NOT", "RECOMMENDED", "MAY", and "OPTIONAL" in this document are to be interpreted as described in [RFC2119].

## 3. Reference Models for Egress Endpoint Failures

This document refers to the following topologies to describe egress endpoint failures and protection procedures.

## 3.1. Single-Segment PW

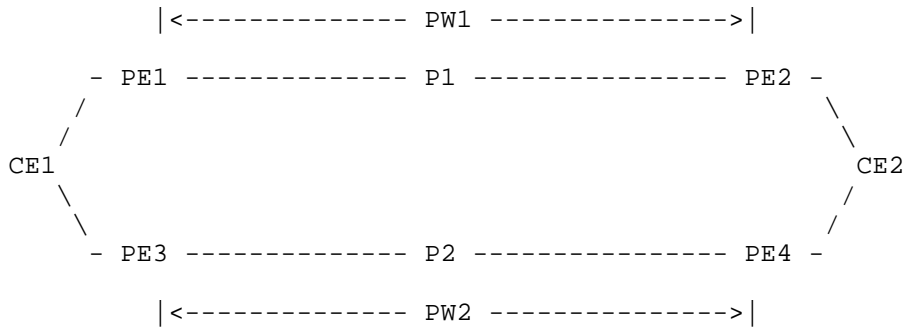


Figure 1

In Figure 1, the IP/MPLS network consists of PE and P routers. It provides a PW service between CE1 and CE2. Each CE is multihomed via two ACs to two PEs. This forms two divergent paths between the CEs. The first path uses PW1 between PE1 and PE2, and the second path uses PW2 between PE3 and PE4. For clarity, the transport tunnels of the PWs and other links between the routers are not shown in this figure.

In general, a CE may operate the ACs in two modes when sending traffic to the remote CE, i.e., active-standby mode and active-active mode.

- o In the active-standby mode, the CE chooses one AC as the active AC and the corresponding path as the active path, and it uses the other AC as the standby AC and the corresponding path as the standby path. The CE only sends traffic on the active AC as long as the active path is operational. The CE will only send traffic on the standby AC after it detects a failure of the active path. Note that the CE may receive traffic on the active or standby AC, depending on whether the remote CE chooses the same active path for the traffic of the reverse direction. In this document, even if both CEs choose the same active path, each CE should still anticipate receiving traffic on a standby AC, because the traffic may be redirected to the standby path by the fast protection mechanism.
- o In the active-active mode, the CE treats both ACs and their corresponding paths as active and sends traffic on both ACs in a load-balancing fashion. In the reverse direction, the CE may receive traffic on both ACs.

The above modes assume the traffic to be data traffic, which is not bound to a specific AC. This does not include control-protocol

traffic between the CEs, when the CE-CE control-protocol sessions or adjacencies established on the two ACs are considered as distinct rather than having a primary and backup relationship. In general, a dual-homed CE should not make any explicit or implicit assumptions regarding the specific AC from which it receives packets from the remote CE.

For either mode, when considering the traffic flowing in a given direction over an active path, this document views the ACs, PEs, and PWs as serving primary or backup roles. In particular, the ACs, PEs, and PWs along this active path have primary roles, while those along the other path have backup roles. Note that in the active-active mode, each AC, PE, and PW on an active path has a primary role and also a backup role protecting the other path, which is also active.

For Figure 1, the following roles are assumed for the traffic going from CE1 to CE2 via PW1.

Primary ingress AC: CE1-PE1

Primary ingress PE: PE1

Primary PW: PW1

Primary egress PE: PE2

Primary egress AC: PE2-CE2

Backup ingress AC: CE1-PE3

Backup ingress PE: PE3

Backup PW: PW2

Backup egress PE: PE4

Backup egress AC: PE4-CE2

Based on this schema, this document describes egress endpoint failures and the fast protection mechanism on the per-active-path and per-direction basis. In this case, an egress AC failure refers to the failure of the AC PE2-CE2, and an egress node failure refers to the failure of PE2. The ultimate goal is that when a failure occurs, the traffic should be locally repaired, so that it can eventually reach CE2 via the backup egress PE (PE4) and the backup egress AC (PE4-CE2).

Subsequent to the local repair, either the current active path should heal after the control plane converges on the new topology or the ingress CE should switch traffic from the primary path to the backup path, depending on the failure scenario. In the latter case, the ingress CE may perform the path switchover triggered by end-to-end OAM (in-band or out-band), PW status notification, CE-PE control protocols (e.g., the Link Aggregation Control Protocol (LACP)), and others. In the active-standby mode, this will promote the standby path to a new active path. In the active-active mode, it will make the other active path carry all the traffic between the two CEs. In any case, this phase of restoration falls into the control-plane convergence and global repair category; hence, it is out of the scope of this document. The purpose of the fast protection mechanism in this document is to reduce traffic loss before this phase of restoration takes place.

Note that in Figure 1, if the traffic in the reverse direction (i.e., from CE2 to CE1) traverses the AC CE2-PE2 and PE2 as an active path, the failure of PE2 and the failure of the AC PE2-CE2 will be considered as ingress failures of the traffic. If CE2 can detect the failures, it may protect the traffic by switching it to the backup path via the AC CE2-PE4 and PE4. However, this is categorized as ingress endpoint failure protection; hence, it is not handled by the mechanism described in this document.

Figure 2 shows another possible scenario, where CE1 is single-homed to PE1, while CE2 remains multihomed to PE2 and PE4. From the perspective of egress endpoint protection for the traffic going from CE1 to CE2 over PW1, this scenario is the same as the scenario shown in Figure 1.

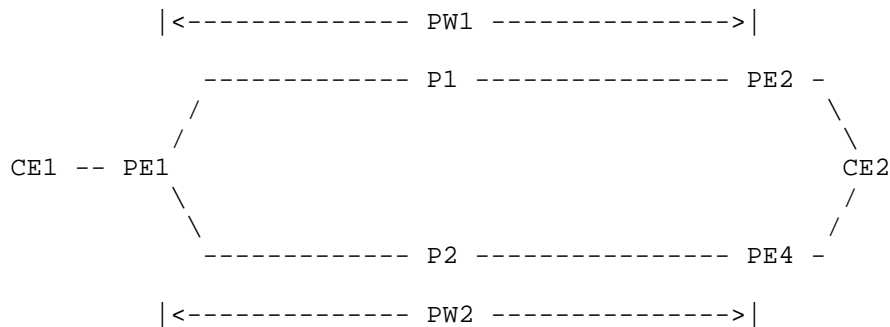


Figure 2



For clarity, primary egress AC, primary egress PE, backup egress AC, and backup egress PE may simply be referred to as primary AC, primary PE, backup AC, and backup PE, respectively, when the context of a discussion is egress endpoint.

### 3.2. Multi-Segment PW

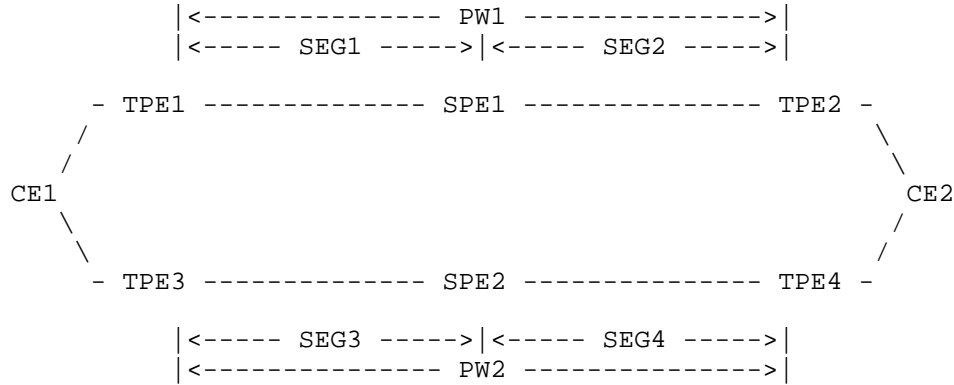


Figure 3

Figure 3 shows a topology that is similar to Figure 1 but in an MS-PW environment. PW1 and PW2 are both MS-PWs. PW1 is established between TPE1 and TPE2 and switched between segments SEG1 and SEG2 at SPE1. PW2 is established between TPE3 and TPE4 and switched between segments SEG3 and SEG4 at SPE2. CE1 is multihomed to TPE1 and TPE3. CE2 is multihomed to TPE2 and TPE4. For clarity, the transport tunnels of the PW segments are not shown in this figure.

In this document, the following primary and backup roles are assigned for the traffic going from CE1 to CE2:

Primary ingress AC: CE1-TPE1

Primary ingress T-PE: TPE1

Primary PW: PW1

Primary S-PE: SPE1

Primary egress T-PE: TPE2

Primary egress AC: TPE2-CE2

Backup ingress AC: CE1-TPE3

Backup ingress T-PE: TPE3

Backup PW: PW2

Backup S-PE: SPE2

Backup egress T-PE: TPE4

Backup egress AC: TPE4-CE2

In this case, an egress AC failure refers to the failure of the AC TPE2-CE2. An egress node failure refers to the failure of TPE2. An S-PE failure refers to the failure of SPE1.

For consistency with the SS-PW scenario, primary T-PEs and primary S-PEs may simply be referred to as primary PEs in this document, where specifics are not required. Similarly, backup T-PEs and backup S-PEs may be referred to as backup PEs.

#### 4. Theory of Operation

The fast protection mechanism in this document provides three types of protection for PWs, corresponding to the three types of failures described in Section 1:

- a. Egress AC protection
- b. Egress (T-)PE node protection
- c. S-PE node protection

##### 4.1. Applicability

The mechanism is applicable to LDP-signaled PWs in an environment where an egress CE is multihomed to a primary PE and a backup PE and there exists a backup PW, as described in Section 3. The procedure for S-PE node protection is applicable when there exists a backup S-PE on the backup PW.

The mechanism assumes IP/MPLS transport tunnels and is applicable to tunnels with single path and equal-cost multipaths (ECMPs). As an example of ECMPs, imagine a tunnel carrying one or multiple PWs and traversing a router with ECMPs to a primary PE. The ECMPs consist of at least one direct link to the PE and some multi-hop paths to the PE. Due to the direct link, the router is considered as a penultimate hop of the tunnel and can perform local detection and repair for an egress node failure. The router normally uses a hashing algorithm to distribute PW packets over the ECMPs, on a

per-PW or per-flow basis. Upon a failure of the direct link, i.e., transit link failure, the router removes the link from the hashing algorithm, which automatically redistributes the traffic of the link to the other paths of the ECMPs, achieving local repair. This scenario is not the focus of this document. Upon a failure of the PE, i.e., egress node failure, the router SHOULD perform local repair by rerouting the entire traffic of the ECMPs, as the failure will affect every path. If the router does not have a fast or reliable mechanism to detect the egress node failure, it is RECOMMENDED that the router SHOULD treat the failure of the direct link as an egress node failure.

The mechanism is applicable to both best-effort and traffic engineering (TE) transport tunnels. For TE transport tunnels that require bandwidth protection, TE bypass tunnels with reserved bandwidth MAY be used to avoid congestion for rerouted traffic.

It is also RECOMMENDED that the mechanism SHOULD be used in conjunction with global repair and control-plane convergence, in such a manner that the mechanism temporarily repairs a failed path by using a bypass tunnel, and global repair and control-plane convergence eventually move traffic to a fully functional alternative path.

#### 4.2. Local Repair

The fast protection ability of the mechanism comes from local repair performed by routers upstream adjacent to failures. Each of these routers is referred to as a PLR. A PLR MUST be able to detect a failure by using a rapid mechanism, such as physical-layer failure detection, Bidirectional Forwarding Detection (BFD) [RFC5880], Seamless BFD (S-BFD) [RFC7880], and others. In anticipation of the failure, the PLR MUST also pre-establish a bypass tunnel to a "protector" and pre-install a bypass route for the bypass tunnel in the data plane. The protector is either a backup PE or a router that will forward traffic to a backup PE. The bypass tunnel MUST have the property that it will not be affected by the topology changes due to the failure. Specifically, it MUST NOT traverse the primary PE or the penultimate link of the protected transport tunnel or share any shared risk link groups (SRLGs) with the penultimate link. Upon detecting the failure, the PLR invokes the bypass route in the data plane and reroutes PW traffic to the protector through the bypass tunnel. The protector in turn sends the traffic to the target CE. This procedure is referred to as local repair.

Different routers may serve as PLR and protector in different scenarios.

- o In egress AC protection, the PLR is the primary PE, and the protector is the backup PE (Figure 4).

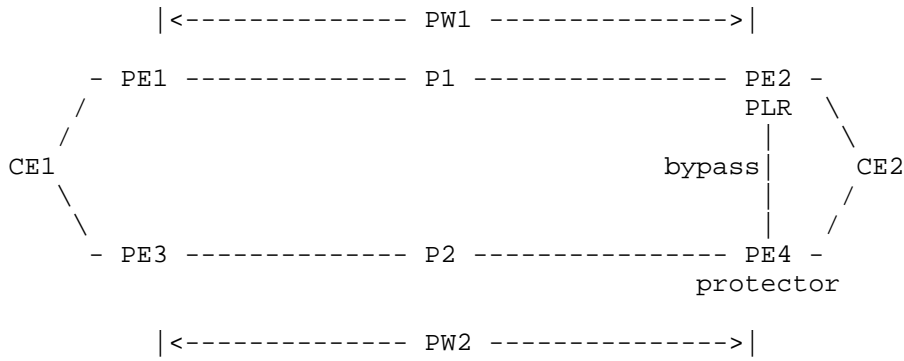


Figure 4

- o In egress PE node protection, the PLR is the penultimate hop router of the transport tunnel of the primary PW, and the protector is the backup PE (Figure 5).

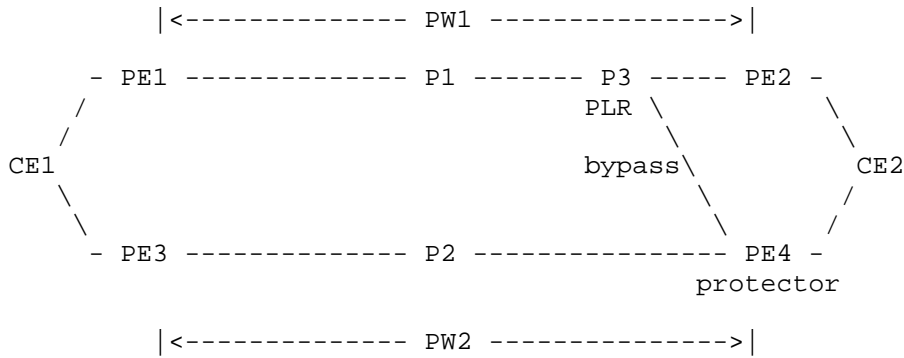


Figure 5

- o In S-PE node protection, the PLR is the penultimate hop router of the transport tunnel of the primary PW segment, and the protector is the backup S-PE (Figure 6).

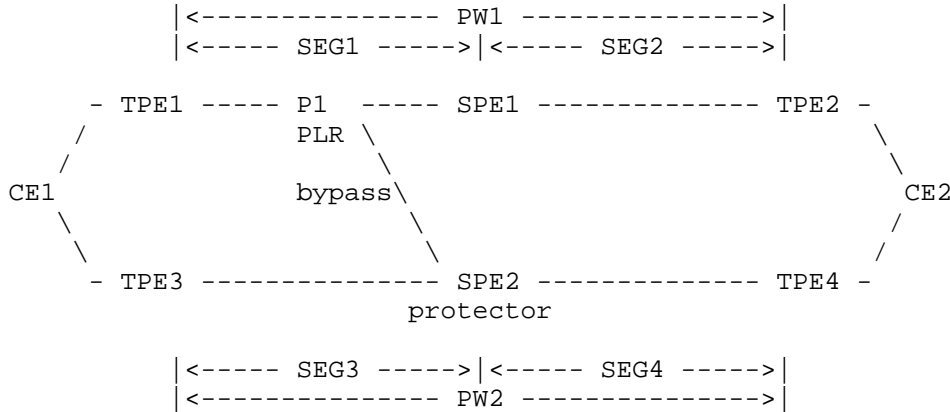


Figure 6

In egress AC protection, a PLR realizes its role based on configuration of a "context identifier", which is introduced in this document (Section 4.3). The PLR establishes a bypass tunnel to the protector in the same fashion as a normal PSN tunnel.

In egress PE and S-PE node protection, a PLR is a transit router on the transport tunnel, and it normally does not have knowledge of the PW(s) carried by the transport tunnel. In this document, the PLR simply computes and establishes a node-protection bypass tunnel in the same fashion as the normal IP/MPLS node protection, except that with the notion of the context identifier, the bypass tunnel will be established from the PLR to the protector (Section 4.6). Conversely, when the router is no longer a PLR for egress PE or S-PE node protection due to a change in network topology or the transport tunnel's path, the router should revert to the role of regular transit router, including PLR for transit link and node protection.

In local repair, a PLR simply switches all the traffic received on the transport tunnel to the bypass tunnel. This requires that the protector given by the bypass tunnel MUST be intended for all the PWs carried by the transport tunnel. This is achieved by the ingress PE using a context identifier to associate a PW with the specific pair of {primary PE, protector} and map the PW to a transport tunnel destined for the same {primary PE, protector}. The ingress PE MAY map multiple PWs to the transport tunnel, if they share the {primary PE, protector} in common.

In local repair, the PLR keeps the PW label intact in packets. This obviates the need for the PLR to maintain bypass routes on a per-PW basis and allows bypass tunnel sharing between PWs. On the other hand, this imposes a requirement on the protector that it MUST be able to forward the packets based on a PW label that is assigned by the primary PE and ensure that the traffic MUST reach the target CE via a backup path. From the protector's perspective, this PW label is an upstream assigned label [RFC5331]. To achieve this, the protector MUST learn the PW label from the primary PE prior to the failure and install a proper forwarding state for the PW label in a dedicated label space associated with the primary PE. During local repair, the protector MUST perform PW label lookup in this label space.

The previous examples have shown the scenarios where the protectors are backup (T-/S-)PEs. It is also possible that a protector is a dedicated router to serve such a role, separate from the backup (T-/S-)PE. During local repair, the PLR still reroutes traffic to the protector through a bypass tunnel. The protector then forwards the traffic to the backup (T-/S-)PE, which further forwards the traffic to the target CE via a backup AC or a backup PW segment. More detail is included in Section 4.4.

#### 4.3. Context Identifier

A protector may protect multiple primary PEs. The protector MUST maintain a separate label space for each primary PE. Likewise, the PWs terminated on a primary PE may be protected by multiple protectors, each for a subset of the PWs. In any case, a given PW MUST be associated with one and only one pair of {primary PE, protector}.

This document introduces the notion of a context identifier to facilitate protection establishment. A context identifier is an IPv4/v6 address assigned to each ordered pair of {primary PE, protector}. The address MUST be globally unique or unique in the address space of the network where the primary PE and the protector reside.

#### 4.3.1. Semantics

The semantics of a context identifier is twofold:

- o A context identifier identifies a primary PE and an associated protector. It represents the primary PE as the PW destination on a per-protector basis. A given primary PE may be protected by multiple protectors, each for a subset of the PWs terminated on the primary PE. A distinct context identifier MUST be assigned to each {primary PE, protector} pair.

The ingress PE of a PW learns the context identifier of the PW's {primary PE, protector} from the primary PE via the Interface\_ID TLV [RFC3471] [RFC3472] in the LDP Label Mapping message of the PW. The ingress PE then sets up or resolves a transport tunnel with the context identifier, rather than a private IP address of the primary PE, as the destination. This destination not only makes the transport tunnel reach the primary PE but also conveys the identity of the protector to the PLR, which MUST use the context identifier as the destination for the bypass tunnel to the protector. The ingress PE MUST map only the PWs terminated by the exact primary PE and protected by the exact protector to the transport tunnel.

- o A context identifier indicates the primary PE's label space on the protector. The protector may protect PWs for multiple primary PEs. For each primary PE, it MUST maintain a separate label space to store the PW labels assigned by that primary PE. It associates a PW label with a label space via the context identifier of the {primary PE, protector}, as below.

In addition to the normal LDP PW signaling, the primary PE MUST have a targeted LDP session with the protector and advertise PW labels to the protector via LDP Label Mapping messages (Section 6). The primary PE MUST attach the context identifier to each message. Upon receiving the message, the protector MUST install the advertised PW label in the label space identified by the context identifier.

When a PLR sets up or resolves a bypass tunnel to the protector, it MUST use the context identifier rather than a private IP address of the protector as the destination. The protector MUST use the bypass tunnel, either the MPLS tunnel label or the IP tunnel destination address, as the pointer to the corresponding label space. The protector MUST forward PW packets received on the bypass tunnel based on label lookup in that label space.

#### 4.3.2. FEC

In an MPLS network, a context identifier represents a Forwarding Equivalence Class (FEC) for transport tunnels and bypass tunnels destined for it. For example, it may be encoded in an LDP Prefix FEC Element or in the "tunnel endpoint address" of an RSVP Session object. The FEC is associated with a unique forwarding state on PLRs and the protector, which cannot be shared with other FECs. Some MPLS protocols (e.g., LDP) support FEC aggregation [RFC3031]. In this case, FEC aggregation MUST NOT be applied to a context identifier's FEC, and every router MUST assign a unique label to the FEC.

#### 4.3.3. IGP Advertisement and Path Computation

Using a context identifier as the destination for both the transport tunnel and bypass tunnel requires coordination between the primary PE and the protector in IGP advertisement of the context identifier in the routing domain and TE domain. The context identifier should be advertised in such a way that all the routers on the tunnels MUST be able to independently reach the following common view of paths:

- o The transport tunnel MUST have the primary PE as the path endpoint.
- o The bypass tunnel MUST have the protector as the path endpoint. In egress PE and S-PE node protection, the path MUST avoid the primary PE.

There are generally two categories of approaches to achieve the above:

- o The first category does not require an ingress PE or a PLR to have knowledge of the PW egress endpoint protection schema. It does not require any IGP extension for context identifier advertisement. A context identifier is advertised by the primary PE and the protector as an address reachable via both routers. The ingress PE and the PLR can compute paths by using a normal method, such as Dijkstra, constrained shortest path first (CSPF), Loop-Free Alternate (LFA) [RFC5286], and Maximally Redundant Tree (MRT) [RFC7812]. One example is to advertise a context identifier as a virtual proxy node connected to the primary PE and the protector, with the link between the proxy node and the primary PE having a more preferable IGP and TE metric than the link between the proxy node and the protector. The transport tunnel will follow the shortest path or a TE path to the primary PE and be terminated by the primary PE. The PLR will no longer view itself as a penultimate hop of the transport tunnel, but rather two hops away from the proxy node, via the primary PE. Hence, a node-



protection bypass tunnel will be available via the protector to the proxy node, but it will actually be terminated by the protector.

- o The second category requires a PLR to have knowledge of the PW egress endpoint protection schema. The primary PE advertises the context identifier as a regular IP address, while the protector advertises it by using an explicit "context identifier object", which MUST be understood by the PLR. The context identifier object requires an IGP extension. In both the routing domain and the TE domain, the context identifier is only reachable via the primary PE. This ensures that the transport tunnel is terminated by the primary PE. The PLR views itself as the penultimate hop of the transport tunnel, and based on the IGP context identifier object, it establishes or resolves a bypass tunnel to the advertiser (i.e., the protector), while avoiding the primary PE.

The mechanism in this document intends to be flexible on the approach used by a network, as long as it satisfies the above requirements for the transport tunnel path and bypass tunnel path. In theory, the network can use one approach for context ID X and another approach for context ID Y. For a given context ID, all relevant routers, including primary PE, protector, and PLR, must support and agree on the chosen approach. The coordination between the routers can be achieved by configuration.

#### 4.4. Protection Models

There are two protection models based on the location of a protector: the co-located protector model and the centralized protector model. A network MAY use either model or both.

##### 4.4.1. Co-located Protector

In this model, the protector is a backup PE that is directly connected to the target CE via a backup AC, or it is a backup S-PE on a backup PW. That is, the protector is co-located with the backup (S-)PE. Examples of this model are shown in Figures 4, 5, and 6 in Section 4.2.

In egress AC protection and egress PE node protection, when a protector receives traffic from the PLR, it forwards the traffic to the CE via the backup AC. This is shown in Figure 7, where PE2 is the PLR for egress AC failure, P3 is the PLR for PE2 failure, and PE4 (backup PE) is the protector.

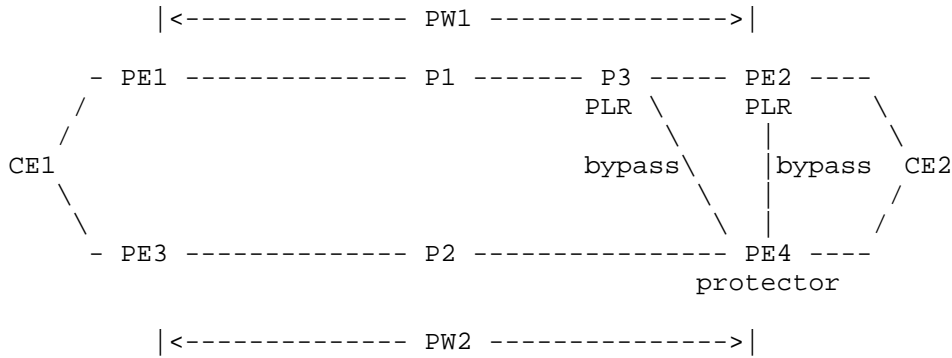


Figure 7

In S-PE node protection, when a protector receives traffic from the PLR, it forwards the traffic over the next segment of the backup PW. The T-PE of the backup PW in turn forwards the traffic to the CE via a backup AC. This is shown in Figure 8, where P1 is the PLR for SPE1 failure, and SPE2 (backup S-PE) is the protector for SPE1. SPE2 receives traffic from P1, swaps SEG1's label to SEG4's label, and forwards the traffic over a transport tunnel to TPE4.

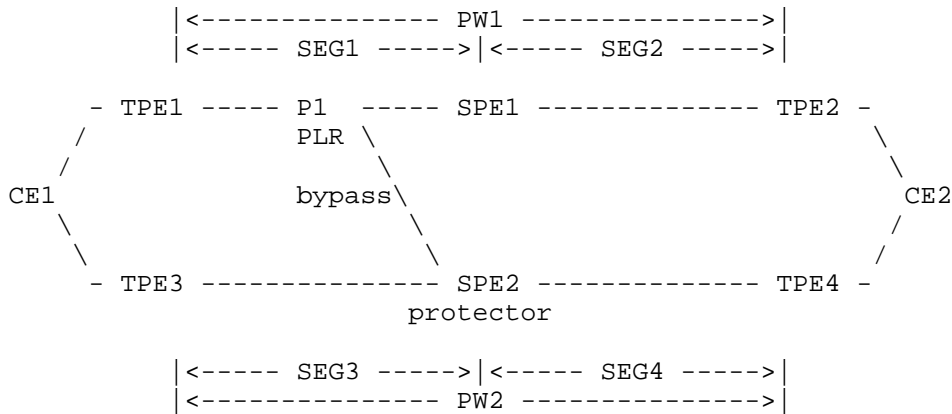


Figure 8

In the co-located protector model, the number of context identifiers needed by a network is the number of distinct {primary PE, backup PE} pairs. From the perspective of scalability, the model is suitable for networks where the number of primary PEs and the average number of backup PEs per primary PE are both relatively low.

4.4.2. Centralized Protector

In this model, the protector is a dedicated P router or PE router that serves the role. In egress AC protection and egress PE node protection, the protector may or may not be a backup PE directly connected to the target CE. In S-PE node protection, the protector may or may not be a backup S-PE on the backup PW.

In egress AC protection and egress PE node protection, if the protector is not directly connected to the CE, it forwards the traffic to a backup PE, which in turn forwards the traffic to the CE via a backup AC. This is shown in Figure 9, where the protector receives traffic from P3 (PLR for egress PE failure) or PE2 (PLR for egress AC failure), swaps PW1's label to PW2's label, and forwards the traffic via a transport tunnel to PE4 (backup PE). The protector may be protecting other PWs and other primary PEs as well; for clarity, this is not shown in the figure.

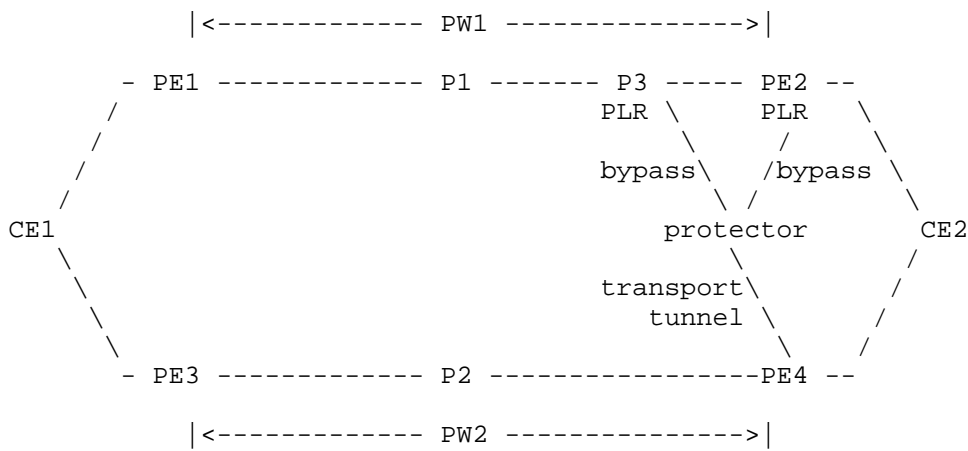


Figure 9

In S-PE node protection, if the protector is not a backup S-PE, it forwards the traffic to the backup S-PE, which in turn forwards the traffic over the next segment of the backup PW. Finally, the T-PE of the backup PW forwards the traffic to the CE via the backup AC. This is shown in Figure 10, where the protector receives traffic from P1 (PLR), swaps SEG1's label to SEG3's label, and forwards the traffic via a transport tunnel to SPE2 (backup S-PE). SPE2 in turn performs MS-PW switching from SEG3's label to SEG4's label and forwards the traffic over a transport tunnel to TPE4 (backup T-PE). The protector may be protecting other PW segments and other primary S-PEs as well; for clarity, this is not shown in the figure.

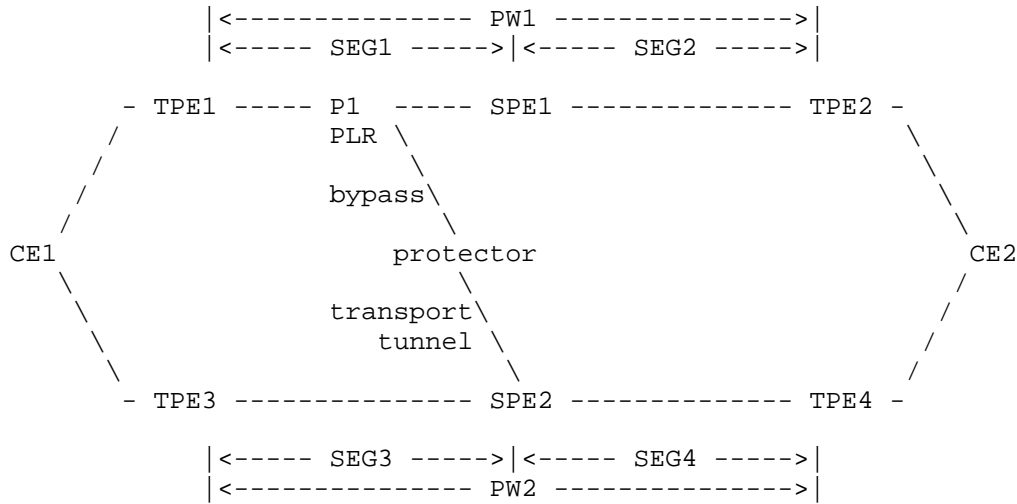


Figure 10

The centralized protector model allows multiple primary PEs to share one protector. Each primary PE may need only one protector. Therefore, the number of context identifiers needed by a network may be bound to the number of primary PEs.

#### 4.5. Transport Tunnel

A PW is associated with a pair of {primary PE, protector}, which is represented by a unique context identifier. The ingress PE of the PW sets up or resolves a transport tunnel by using the context identifier rather than a private IP address of the primary PE as the destination. This not only ensures that the PW is transported to the primary PE but also facilitates bypass tunnel establishment at PLR, because the context identifier contains the identity of the protector as well. This is also the case for a multi-segment PW, where the ingress PE and egress PE are T-/S-PEs.

An ingress PE learns the association between a PW and a context identifier from the primary PE, which MUST advertise the context identifier as a "third-party next hop" via the IPv4/v6 Interface\_ID TLV [RFC3471] [RFC3472] in the LDP Label Mapping message of the PW.

In an ECMP scenario, a transport tunnel may have multiple penultimate hop routers. Each of them SHOULD act as a PLR independently. Also in an ECMP scenario, a penultimate hop router may have ECMPs to the primary PE. At least one path of the ECMPs must be a direct link to the primary PE, qualifying the router as a penultimate hop. The other paths of the ECMPs may be direct links or indirect paths to the

primary PE. In egress PE node protection and S-PE node protection, when a node failure is detected, or a link failure is detected on a direct link and treated as a node failure, the penultimate hop router SHOULD act as a PLR and reroute the entire traffic of the ECMPs to the protector.

#### 4.6. Bypass Tunnel

A PLR may protect multiple PWs associated with one or multiple pairs of {primary PE, protector}. The PLR MUST establish a bypass tunnel to each protector for each context identifier associated with that protector. The destination of the bypass tunnel MUST be the context identifier (Section 4.3.1). Since the PLR is a transit router of the transport tunnel, it SHOULD derive the context identifier from the destination of the transport tunnel.

For example, in Figures 7 and 9, a bypass tunnel is established from PE2 (PLR for egress AC failure) to the protector, and another bypass tunnel is established from P3 (PLR for egress node failure) to the protector. In Figures 8 and 10, a bypass tunnel is established from P1 (PLR for S-PE failure) to the protector.

In local repair, a PLR reroutes traffic to the protector through a bypass tunnel, with the PW label intact in the packets. This normally involves pushing a label to the label stack, if the bypass tunnel is an MPLS tunnel, or pushing an IP header to the packets, if the bypass tunnel is an IP tunnel. Upon receipt of the packets, the protector forwards them based on the PW label. Specifically, the protector uses the bypass tunnel as a context to determine the primary PE's label space. If the bypass tunnel is an MPLS tunnel, the protector should have assigned a non-reserved label to the bypass tunnel; hence, this label can serve as the context. This label is also called a "context label", as it is actually bound to the context identifier. If the bypass tunnel is an IP tunnel, the context identifier should be the destination address of the IP header.

To be useful for local repair, a bypass tunnel MUST have the property that it is not affected by any topology changes caused by the failure. It MUST NOT traverse the primary PE or the penultimate link of the transport tunnel, or share any SRLG with the penultimate link. A bypass tunnel may be a TE tunnel with reserved bandwidth to avoid traffic congestion for rerouted traffic. A bypass tunnel should remain effective during local repair, until the traffic is moved to an alternative path, i.e., either the same PW over a fully functional transport tunnel or another fully functional PW.

There is little or no benefit to protect a bypass tunnel. Therefore, a bypass tunnel SHOULD NOT be protected against a transit link failure, transit node failure, or egress node failure.

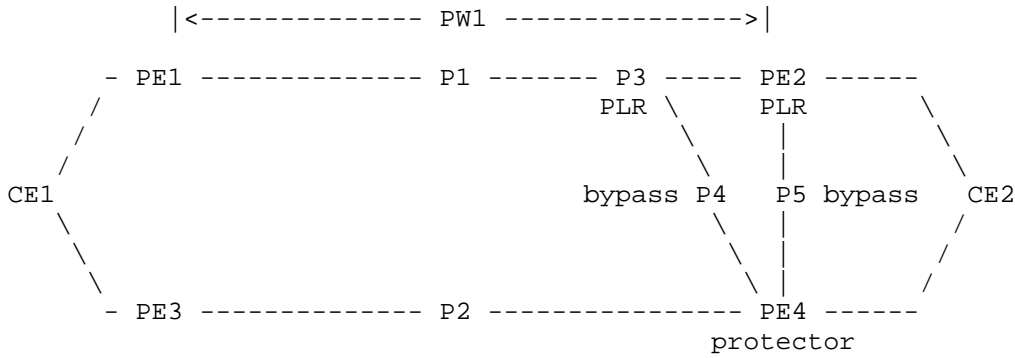
#### 4.7. Examples of Forwarding State

This section provides some detailed examples of forwarding state on the PLR, protector, and other relevant routers.

A protector learns PW labels from all the primary PEs that it protects (Section 6.2) and maintains the PW labels in separate label spaces on a per-primary-PE basis. In the control plane, each label space is identified by the context identifier of the corresponding {primary PE, protector}. In the forwarding plane, the label space is indicated by the bypass tunnel(s) destined for the context identifier.

##### 4.7.1. Co-located Protector Model

In Figure 11, PE4 is a co-located protector that protects PW1 against egress AC failure and egress node failure. It maintains a label space for PE2, which is identified by the context identifier of {PE2, PE4}. It learns PW1's label from PE2 and installs a forwarding entry for the label in that label space. The next hop of the forwarding entry indicates a label pop with an outgoing interface pointing to the backup AC PE4-CE2.



```

|<----- PW1 ----->|
- PE1 ----- P1 ----- P3 ----- PE2 -----
- PE3 ----- P2 ----- P4 ----- P5 ----- PE4 -----
|<----- PW2 ----->|

PW1's label assigned by PE2: 100
PW2's label assigned by PE4: 200
On P3:
  Incoming label of transport tunnel to PE2: 1000
  Outgoing label of transport tunnel to PE2: implicit null
  Outgoing label of bypass tunnel to PE4: 2000
On PE2:
  Outgoing label of bypass tunnel to PE4: 3000
On PE4:
  Context label (incoming label of bypass tunnels): 999

Forwarding state on P3:
label 1000 -- primary next hop: pop, to PE2
             backup next hop: swap 2000, to P4

Forwarding state on PE2:
label 100 -- primary next hop: pop, to CE2
             backup next hop: push 3000, to P5

Forwarding state on P4:
label 2000 -- next hop: swap 999, to PE4

Forwarding state on P5:
label 3000 -- next hop: swap 999, to PE4

Forwarding state on PE4:
label 200 -- next hop: pop, to CE2
label 999 -- next hop: label table of PE2's label space

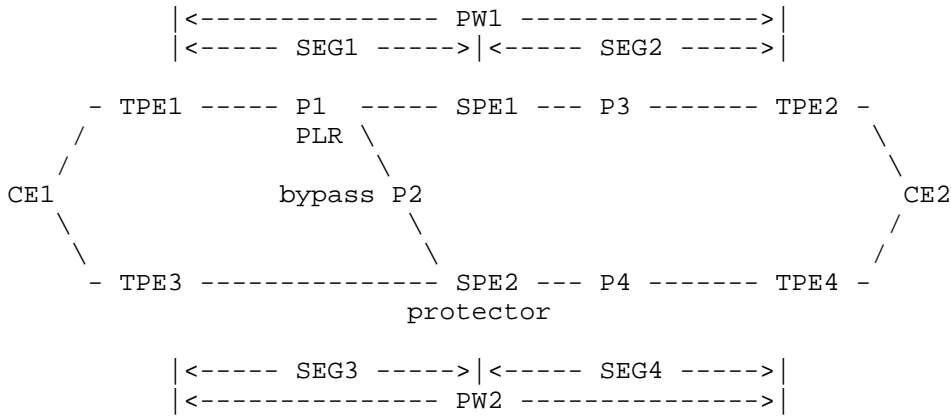
Label table of PE2's label space on PE4:
label 100 -- next hop: pop, to CE2

```

Figure 11

In Figure 12, SPE2 is a co-located protector that protects PW1 against S-PE failure. It maintains a label space for SPE1, which is identified by the context identifier of {SPE1, SPE2}. It learns SEG1's label from SPE1 and installs a forwarding entry in the label space. The next hop of the forwarding entry indicates a label swap to SEG4's label and a label push with the label of a transport tunnel to TPE4.





SEG1's label assigned by SPE1: 100

SEG2's label assigned by TPE2: 200

SEG3's label assigned by SPE2: 300

SEG4's label assigned by TPE4: 400

On P1:

Incoming label of transport tunnel to SPE1: 1000

Outgoing label of transport tunnel to SPE1: implicit null

Outgoing label of bypass tunnel to SPE2: 2000

On SPE1:

Outgoing label of transport tunnel to TPE2: 3000

On SPE2:

Outgoing label of transport tunnel to TPE4: 4000

Context label (incoming label of bypass tunnel): 999

Forwarding state on P1:

label 1000 -- primary next hop: pop, to SPE1

backup next hop: swap 2000, to P2

Forwarding state on SPE1:

label 100 -- next hop: swap 200, push 3000, to P3

Forwarding state on P2:

label 2000 -- next hop: swap 999, to SPE2

Forwarding state on SPE2:

label 300 -- next hop: swap 400, push 4000, to P4

label 999 -- next hop: label table of SPE1's label space

Label table of SPE1's label space on SPE2:

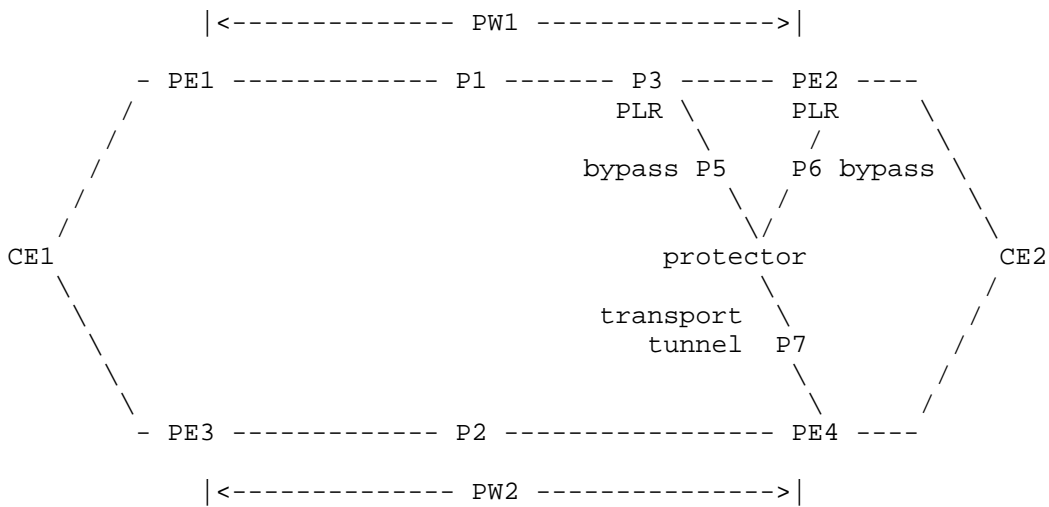
label 100 -- next hop: swap 400, push 4000, to P4

Figure 12

## 4.7.2. Centralized Protector Model

In the centralized protector model, for each primary PW of which the protector is not a backup (S-)PE, the protector MUST also learn the label of the backup PW from the backup (S-)PE (Section 6.3). This is the backup (S-)PE that the protector will forward traffic to. The protector MUST install a forwarding entry with a label swap from the primary PW's label to the backup PW's label and a label push with the label of a transport tunnel to the backup (S-)PE.

In Figure 13, the protector is a centralized protector that protects PW1 against egress AC failure and egress node failure. It maintains a label space for PE2, which is identified by the context identifier of {PE2, protector}. It learns PW1's label from PE2 and PW2's label from PE4. It installs a forwarding entry for PW1's label in the label space. The next hop of the forwarding entry indicates a label swap to PW2's label and a label push with the label of a transport tunnel to PE4.



```

PW1's label assigned by PE2: 100
PW2's label assigned by PE4: 200
On P3:
  Incoming label of transport tunnel to PE2: 1000
  Outgoing label of transport tunnel to PE2: implicit null
  Outgoing label of bypass tunnel to protector: 2000
On PE2:
  Outgoing label of bypass tunnel to protector: 3000
On protector:
  Context label (incoming label of bypass tunnels): 999
  Outgoing label of transport tunnel to PE4: 4000

```

```
Forwarding state on P3:
label 1000 -- primary next hop: pop, to PE2
              backup next hop: swap 2000, to P5

Forwarding state on PE2:
label 100 -- primary next hop: pop, to CE2
              backup next hop: push 3000, to P6

Forwarding state on P5:
label 2000 -- next hop: swap 999, to protector

Forwarding state on P6:
label 3000 -- next hop: swap 999, to protector

Forwarding state on P7:
label 4000 -- next hop: pop, to PE4

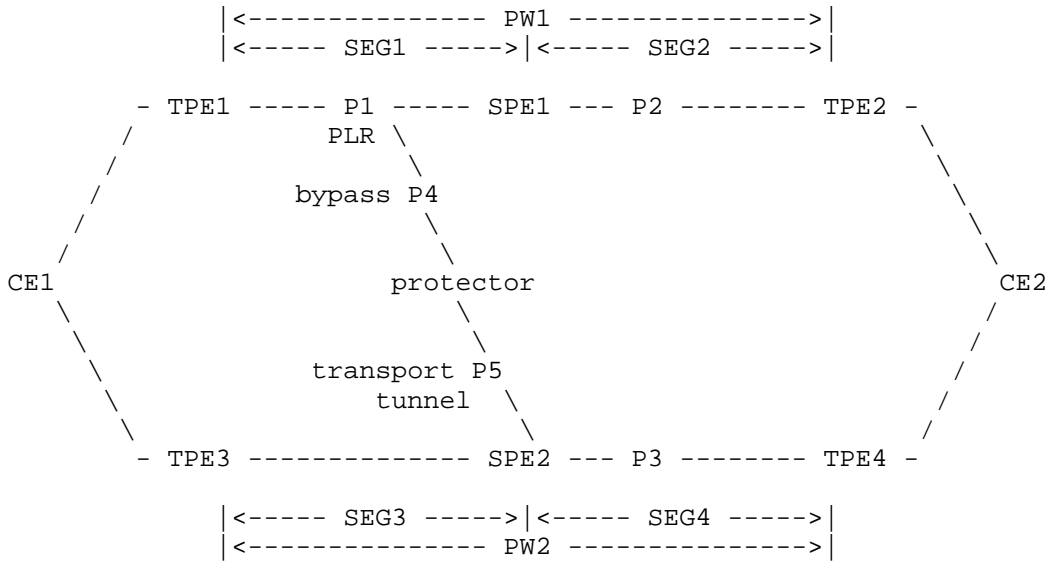
Forwarding state on PE4:
label 200 -- next hop: pop, to CE2

Forwarding state on protector:
label 999 -- next hop: label table of PE2's label space

Label table of PE2's label space on protector:
label 100 -- next hop: swap 200, push 4000, to P7
```

Figure 13

In Figure 14, the protector is a centralized protector that protects the PW segment SEG1 of PW1 against the node failure of SPE1. It maintains a label space for SPE1, which is identified by the context identifier of {SPE1, protector}. It learns SEG1's label from SPE1 and SEG3's label from SPE2. It installs a forwarding entry for SEG1's label in the label space. The next hop of the forwarding entry indicates a label swap to SEG3's label and a label push with the label of a transport tunnel to TPE4.



```

SEG1's label assigned by SPE1: 100
SEG2's label assigned by TPE2: 200
SEG3's label assigned by SPE2: 300
SEG4's label assigned by TPE4: 400
On P1:
  Incoming label of transport tunnel to SPE1: 1000
  Outgoing label of transport tunnel to SPE1: implicit null
  Outgoing label of bypass tunnel to protector: 2000
On SPE1:
  Outgoing label of transport tunnel to TPE2: 3000
On SPE2:
  Outgoing label of transport tunnel to TPE4: 4000
On protector:
  Context label (incoming label of bypass tunnel): 999
  Outgoing label of transport tunnel to SPE2: 5000

Forwarding state on P1:
label 1000 -- primary next hop: pop, to SPE1
              backup next hop: swap 2000, to P4

Forwarding state on SPE1:
label 100 -- next hop: swap 200, push 3000, to P2

Forwarding state on P4:
label 2000 -- next hop: swap 999, to protector

Forwarding state on P5:
label 5000 -- next hop: pop, to SPE2
    
```

```
Forwarding state on SPE2:  
label 300 -- next hop: swap 400, push 4000, to P3  
  
Forwarding state on protector:  
label 999 -- next hop: label table of SPE1's label space  
  
Label table of SPE1's label space on protector:  
label 100 -- next hop: swap 300, push 5000, to P5
```

Figure 14

## 5. Restorative and Revertive Behaviors

Subsequent to local repair, there are three strategies for a network to restore traffic to a fully functional alternative path:

### o Global repair

If the ingress CE is multihomed (Figure 1), it MAY switch the traffic to the backup AC, which is bound to the backup PW. Alternatively, if the ingress PE hosts a backup PW (Figure 2), the ingress PE MAY switch the traffic to the backup PW. These procedures are referred to as global repair. Possible triggers of global repair include PW status notification, Virtual Circuit Connectivity Verification (VCCV) [RFC5085] [RFC5885], BFD, end-to-end OAM between CEs, and others.

### o Control-plane convergence

In egress PE node protection and S-PE node protection, it is possible that the failure is limited to the link between the PLR and the primary PE, whereas the primary PE is still operational. In this case, the PLR or an upstream router on the transport tunnel MAY reroute the tunnel around the link via an alternative path to the primary PE. Thus, the transport tunnel can heal and continue to carry the PW to the primary PE. This procedure is driven by control-plane convergence on the new topology.

### o Local reversion

The PLR MAY move traffic back to the primary PW, after the failure is resolved. In egress AC protection, upon detecting that the primary AC is restored, the PLR MAY start forwarding traffic over the AC again. Likewise, in egress PE node protection and S-PE node protection, upon detecting that the primary PE is restored, the PLR MAY re-establish the transport tunnel to the primary PE and move the traffic from the bypass tunnel back to the transport tunnel. These procedures are referred to as local reversion.

It is RECOMMENDED that the fast protection mechanism SHOULD be used in conjunction with global repair. Particularly in the case of egress PE and S-PE node failures, if the ingress PE or the protector loses communication with the egress PE or S-PE for an extensive period of time, the LDP session may go down. Consequently, the ingress PE may bring down the primary PW completely, or the protector may remove the forwarding entry of the primary PW label. In either case, the service will be disrupted. In other words, although the mechanism can temporarily repair traffic, control-plane state may eventually expire if the failure persists. Therefore, global repair SHOULD take place in a timely manner to move traffic to a fully functional alternative path.

Control-plane convergence may automatically happen as control-plane protocols react to the new topology. However, it is only applicable to the specific link failure scenario described above.

Local reversion is optional. In the circumstances where the failure is caused by resource flapping, local reversion MAY be dampened to limit potential disruption. Local reversion MAY be disabled completely by configuration.

## 6. LDP Extensions

As described in previous sections, a targeted LDP session MUST be established between each pair of primary PE and protector. The primary PE sends a Label Mapping message over this session to advertise primary PW labels to the protector. In the centralized protector model, a targeted LDP session MUST also be established between a backup (S-)PE and the protector. The backup PE sends a Label Mapping message over this session to advertise backup PW labels to the protector.

To support the procedures, this document defines a new "Protection FEC Element" TLV. The Label Mapping messages of both the LDP sessions above MUST carry this TLV to identify a primary PW. Specifically, in the centralized protector model, the Protection FEC Element TLV advertised by a backup (S-)PE MUST match the one advertised by the primary PE, so that the protector can associate the primary PW's label with the backup PW's label and perform a label swap. The backup (S-)PE builds such a Protection FEC Element TLV based on local configuration.

This document also defines a new "Egress Protection Capability" TLV as a new type of Capability Parameter TLV [RFC5561], to allow a protector to announce its capability of processing the above Protection FEC Element TLV and performing context-specific label switching for PW labels.

The procedures in this section are only applicable if the protector advertises the Egress Protection Capability TLV, the primary PE supports the advertisement of the Protection FEC Element TLV, and in the centralized protector model, the backup PE also supports the advertisement of the Protection FEC Element TLV.

#### 6.1. Egress Protection Capability TLV

A protector MUST advertise the Egress Protection Capability TLV in its Initialization message and Capability message over the LDP session with a primary PE. In the centralized protector model, the protector MUST also advertise the TLV over the LDP session with a backup PE. The TLV carries one or multiple context identifiers. To the primary PE, the TLV MUST carry the context identifier of the {primary PE, protector}. In the centralized protector model, the TLV MUST carry multiple context identifiers to the backup PE, one for each {primary PE, protector} where the backup PE serves as a backup for the primary PE. This TLV MUST NOT be advertised by the primary PE or the backup PE to the protector.

The processing of the Egress Protection Capability TLV by a receiving router MUST follow the procedures defined in [RFC5561]. In particular, the router MUST advertise PW information to the protector by using the Protection FEC Element TLV, only after it has received the Egress Protection Capability TLV from the protector. It MUST validate each context identifier included in the TLV and advertise the information of only the PWs that are associated with the context identifier. It MUST withdraw previously advertised Protection FEC TLVs, when the protector has withdrawn a previously advertised context identifier or the entire Egress Protection Capability TLV via a Capability message.

The encoding of the Egress Protection Capability TLV is defined below. It conforms to the format of Capability Parameter TLV specified in [RFC5561].

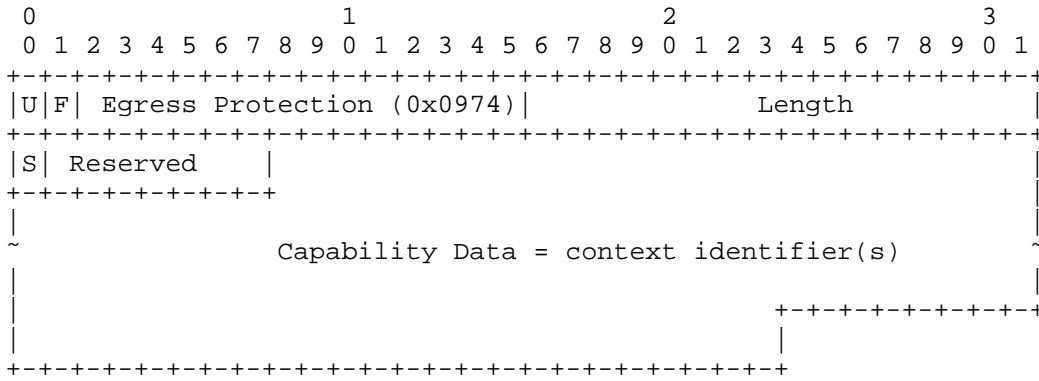


Figure 15

The U-bit MUST be set to 1, so that a receiver MUST silently ignore this TLV if unknown to it and continue processing the rest of the message.

The F-bit MUST be set to 0 since this TLV is sent only in Initialization and Capability messages, which are not forwarded.

The TLV code point is 0x0974.

The S-bit indicates whether the sender is advertising (S=1) or withdrawing (S=0) the capability.

The Capability Data field is encoded with the context identifiers of the {primary PE, protector} pairs for which the advertiser is the protector.

### 6.2. PW Label Distribution from Primary PE to Protector

A primary PE MUST advertise a primary PW's label to a protector by sending a Label Mapping message. The message includes a Protection FEC Element TLV (see Section 6.4 for encoding) and an Upstream-Assigned Label TLV [RFC6389] encoded with the PW's label. The combination of the Protection FEC Element TLV and the PW label represents the primary PE's forwarding state for the PW. The Label Mapping message MUST also carry an IPv4/v6 Interface\_ID TLV [RFC3471] [RFC6389] encoded with the context identifier of the {primary PE, protector}.

The protector that receives this Label Mapping message MUST install a forwarding entry for the PW label in the label space identified by the context identifier. The next hop of the forwarding entry MUST ensure that packets are sent towards the target CE via a backup AC or



a backup (S-)PE, depending on the protection scenario. The protector MUST silently discard a Label Mapping message if the included context identifier is unknown to it.

### 6.3. PW Label Distribution from Backup PE to Protector

In the centralized protector model, a backup PE MUST advertise a backup PW's label to the protector by sending a Label Mapping message. The message includes a Protection FEC Element TLV and a Generic Label TLV encoded with the backup PW's label. This Protection FEC Element MUST be identical to the Protection FEC Element TLV that the primary PE advertises to the protector (Section 6.2). This is achieved through configuration on the backup PE. The context identifier MUST NOT be encoded in an Interface\_ID TLV in this message.

The protector that receives this Label Mapping message MUST associate the backup PW with the primary PW, based on the common Protection FEC Element TLV. It MUST distinguish between the Label Mapping message from the primary PE and the Label Mapping message from the backup PE based on the respective presence and absence of a context identifier in the Interface\_ID TLV. It MUST install a forwarding entry for the primary PW's label in the label space identified by the context identifier. The next hop of the forwarding entry MUST indicate a label swap to the backup PW's label, followed by a label push or IP header push for a transport tunnel to the backup PE.

6.4. Protection FEC Element TLV

The Protection FEC Element TLV has type 0x83. Its format is defined below:

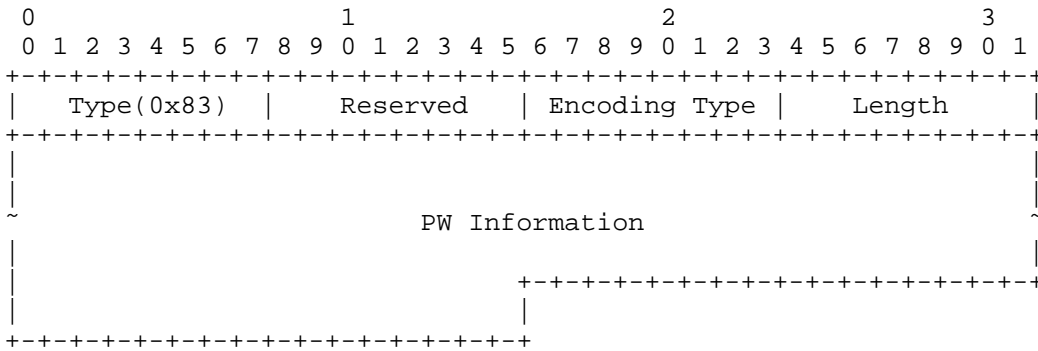


Figure 16

- Encoding Type

Type of encoding format of the PW Information field. The following types are defined, corresponding to the PWid FEC Element and Generalized PWid FEC Element defined in [RFC8077].

- 1 - PWid FEC Element with IPv4 PE addresses (Section 6.4.1).
- 2 - Generalized PWid FEC Element with IPv4 PE addresses (Section 6.4.2).
- 3 - PWid FEC Element with IPv6 PE addresses (Section 6.4.3).
- 4 - Generalized PWid FEC Element with IPv6 PE addresses (Section 6.4.4).

- Length

Length of the PW Information field in octets.

- PW Information

Field of variable length that specifies a PW.

6.4.1.1. Encoding Format for PWid with IPv4 PE Addresses

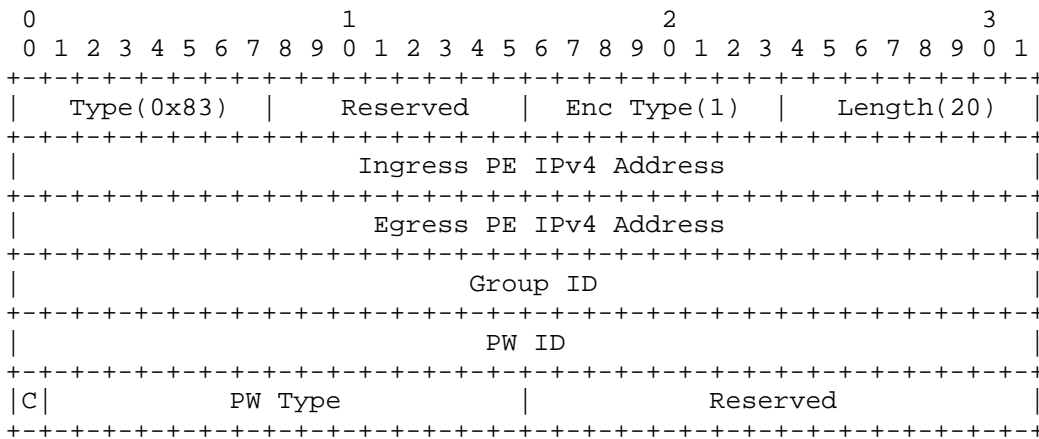


Figure 17

- Ingress PE IPv4 Address  
IPv4 address of the ingress PE of PW.
- Egress PE IPv4 Address  
IPv4 address of the egress PE of PW.
- Group ID  
An arbitrary 32-bit value that represents a group of PWs and that is used to create groups in the PW space.
- PW ID  
A non-zero 32-bit connection ID that, together with the PW Type field, identifies a particular PW.
- Control word bit (C)  
A bit that flags the presence of a control word on this PW. If C = 1, control word is present; if C = 0, control word is not present.
- PW Type  
A 15-bit quantity that represents the type of PW.

6.4.2. Encoding Format for Generalized PWid with IPv4 PE Addresses

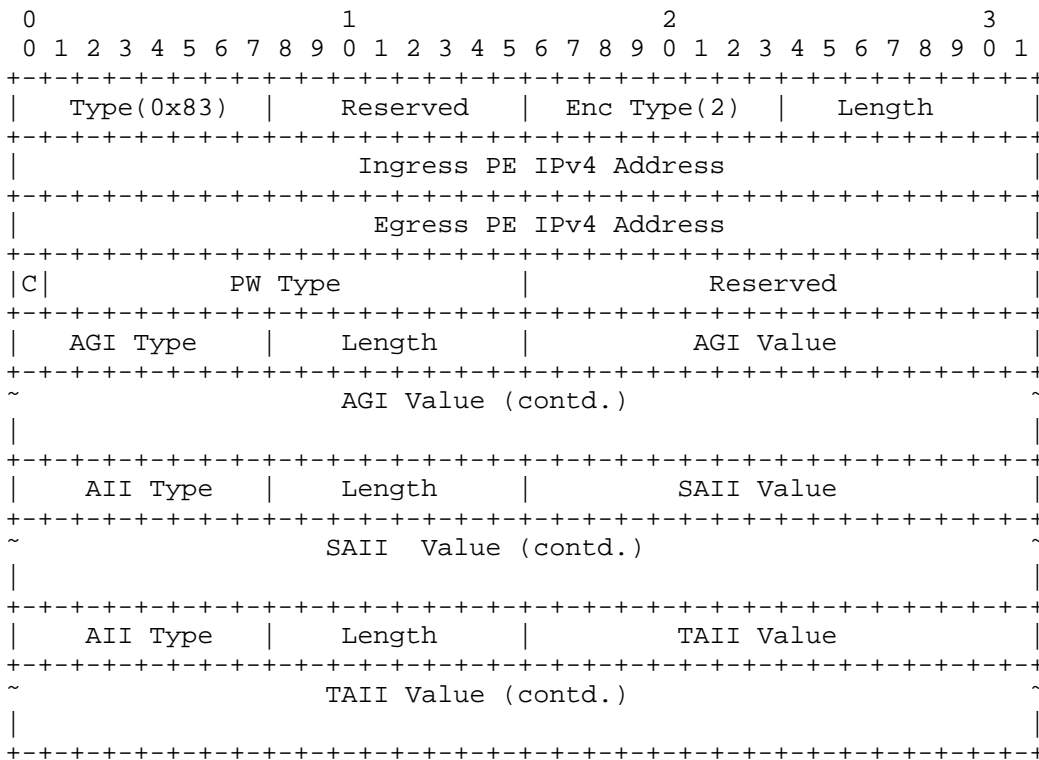


Figure 18

- Ingress PE IPv4 Address

IPv4 address of the ingress PE of PW.

- Egress PE IPv4 Address

IPv4 address of the egress PE of PW.

- Control word bit (C)

A bit that flags the presence of a control word on this PW. If C = 1, control word is present; if C = 0, control word is not present.

- PW Type

A 15-bit quantity that represents the type of PW.

- AGI Type, Length, AGI Value  
Attachment Group Identifier of PW.
- AII Type, Length, SAII Value  
Source Attachment Individual Identifier of PW.
- AII Type, Length, TAIID Value  
Target Attachment Individual Identifier of PW.

6.4.3. Encoding Format for PWid with IPv6 PE Addresses

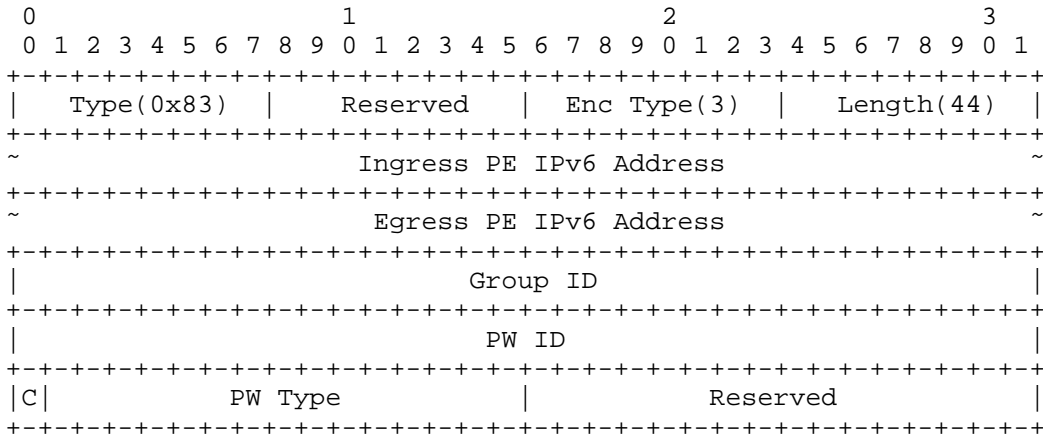


Figure 19

- Ingress PE IPv6 Address  
IPv6 address of the ingress PE of PW; 16 octets.
- Egress PE IPv6 Address  
IPv6 address of the egress PE of PW; 16 octets.
- Group ID  
An arbitrary 32-bit value that represents a group of PWs and that is used to create groups in the PW space.

- PW ID

A non-zero 32-bit connection ID that, together with the PW Type field, identifies a particular PW.

- Control word bit (C)

A bit that flags the presence of a control word on this PW. If C = 1, control word is present; if C = 0, control word is not present.

- PW Type

A 15-bit quantity that represents the type of PW.

6.4.4. Encoding Format for Generalized PWid with IPv6 PE Addresses

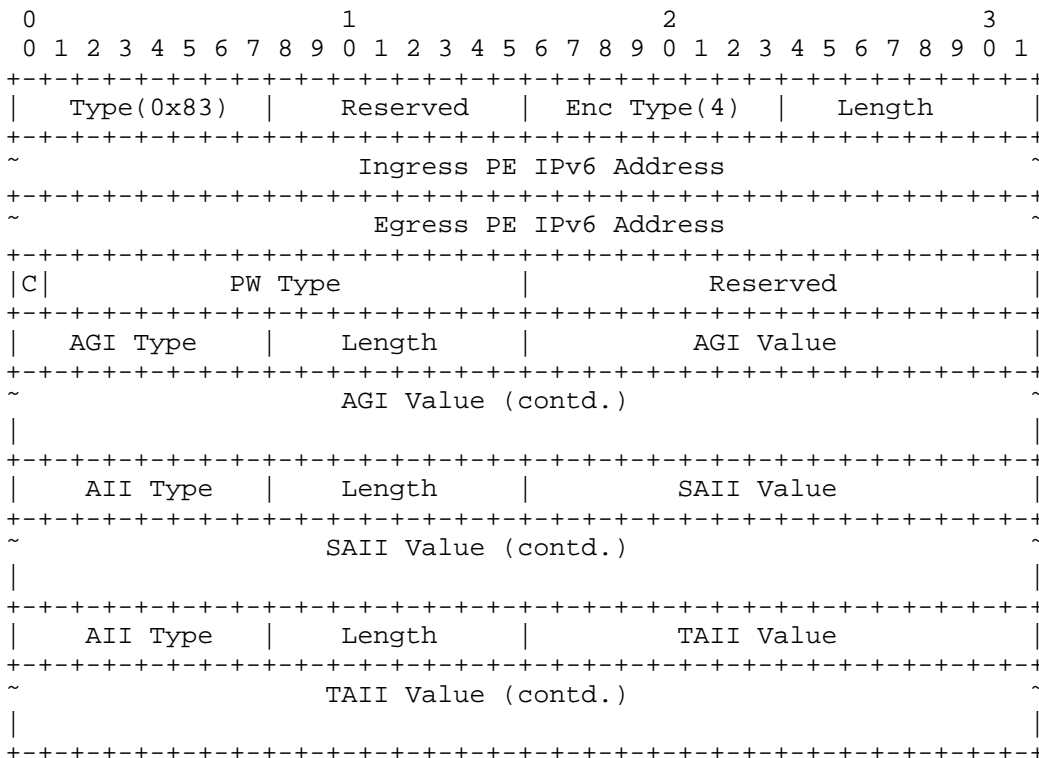


Figure 20

- Ingress PE IPv6 Address

IPv6 address of the ingress PE of PW; 16 octets.

- Egress PE IPv6 Address

IPv6 address of the egress PE of PW; 16 octets.

- Control word bit (C)

A bit that flags the presence of a control word on this PW. If C = 1, control word is present; if C = 0, control word is not present.

- PW Type

A 15-bit quantity that represents the type of PW.

- AGI Type, Length, AGI Value

Attachment Group Identifier of PW.

- AII Type, Length, SAII Value

Source Attachment Individual Identifier of PW.

- AII Type, Length, TAI Value

Target Attachment Individual Identifier of PW.

## 7. IANA Considerations

This document defines a new Egress Protection Capability TLV in Section 6. IANA has assigned value 0x0974 for it in the "TLV Type Name Space" registry.

This document defines a new Protection FEC Element TLV in Section 6. IANA assigned value 0x83 for it in the "Forwarding Equivalence Class (FEC) Type Name Space" registry per RFC 7358. IANA has updated the registry to also reference this document.

## 8. Security Considerations

In this document, PW traffic can be temporarily rerouted by a PLR to a protector. In the centralized protector scenario, the traffic can be further rerouted to a backup PE. In the control plane, there is a targeted LDP session between a primary PE and a protector. In the centralized protector scenario, there is also a targeted LDP session between a backup PE and a protector. In all scenarios, traffic rerouting via PLRs, protectors, and backup PEs is planned and anticipated, and backup PEs can be used anyway to host PWs and LDP sessions. Hence, the rerouted traffic and the LDP sessions introduced in this document should not be viewed as a new security threat.

In general, [RFC5920] describes the security framework for MPLS networks. [RFC3209] describes the security considerations for RSVP Label Switched Paths (LSPs). [RFC5036] describes the security considerations for the base LDP specification. [RFC5561] describes the security considerations that apply when using the LDP capability mechanism. All these security frameworks and considerations apply to this document as well.

## 9. References

### 9.1. Normative References

- [RFC2119] Bradner, S., "Key words for use in RFCs to Indicate Requirement Levels", BCP 14, RFC 2119, DOI 10.17487/RFC2119, March 1997, <<http://www.rfc-editor.org/info/rfc2119>>.
- [RFC8077] Martini, L., Ed. and G. Heron, Ed., "Pseudowire Setup and Maintenance Using the Label Distribution Protocol (LDP)", STD 84, RFC 8077, DOI 10.17487/RFC8077, February 2017, <<http://www.rfc-editor.org/info/rfc8077>>.
- [RFC5331] Aggarwal, R., Rekhter, Y., and E. Rosen, "MPLS Upstream Label Assignment and Context-Specific Label Space", RFC 5331, DOI 10.17487/RFC5331, August 2008, <<http://www.rfc-editor.org/info/rfc5331>>.
- [RFC5561] Thomas, B., Raza, K., Aggarwal, S., Aggarwal, R., and JL. Le Roux, "LDP Capabilities", RFC 5561, DOI 10.17487/RFC5561, July 2009, <<http://www.rfc-editor.org/info/rfc5561>>.



- [RFC3471] Berger, L., Ed., "Generalized Multi-Protocol Label Switching (GMPLS) Signaling Functional Description", RFC 3471, DOI 10.17487/RFC3471, January 2003, <<http://www.rfc-editor.org/info/rfc3471>>.
- [RFC3472] Ashwood-Smith, P., Ed. and L. Berger, Ed., "Generalized Multi-Protocol Label Switching (GMPLS) Signaling Constraint-based Routed Label Distribution Protocol (CR-LDP) Extensions", RFC 3472, DOI 10.17487/RFC3472, January 2003, <<http://www.rfc-editor.org/info/rfc3472>>.
- [RFC6389] Aggarwal, R. and JL. Le Roux, "MPLS Upstream Label Assignment for LDP", RFC 6389, DOI 10.17487/RFC6389, November 2011, <<http://www.rfc-editor.org/info/rfc6389>>.
- [RFC4090] Pan, P., Ed., Swallow, G., Ed., and A. Atlas, Ed., "Fast Reroute Extensions to RSVP-TE for LSP Tunnels", RFC 4090, DOI 10.17487/RFC4090, May 2005, <<http://www.rfc-editor.org/info/rfc4090>>.
- [RFC5286] Atlas, A., Ed. and A. Zinin, Ed., "Basic Specification for IP Fast Reroute: Loop-Free Alternates", RFC 5286, DOI 10.17487/RFC5286, September 2008, <<http://www.rfc-editor.org/info/rfc5286>>.
- [RFC7812] Atlas, A., Bowers, C., and G. Enyedi, "An Architecture for IP/LDP Fast Reroute Using Maximally Redundant Trees (MRT-FRR)", RFC 7812, DOI 10.17487/RFC7812, June 2016, <<http://www.rfc-editor.org/info/rfc7812>>.
- [RFC3031] Rosen, E., Viswanathan, A., and R. Callon, "Multiprotocol Label Switching Architecture", RFC 3031, DOI 10.17487/RFC3031, January 2001, <<http://www.rfc-editor.org/info/rfc3031>>.

## 9.2. Informative References

- [RFC5920] Fang, L., Ed., "Security Framework for MPLS and GMPLS Networks", RFC 5920, DOI 10.17487/RFC5920, July 2010, <<http://www.rfc-editor.org/info/rfc5920>>.
- [RFC3985] Bryant, S., Ed. and P. Pate, Ed., "Pseudo Wire Emulation Edge-to-Edge (PWE3) Architecture", RFC 3985, DOI 10.17487/RFC3985, March 2005, <<http://www.rfc-editor.org/info/rfc3985>>.

- [RFC3209] Awduche, D., Berger, L., Gan, D., Li, T., Srinivasan, V., and G. Swallow, "RSVP-TE: Extensions to RSVP for LSP Tunnels", RFC 3209, DOI 10.17487/RFC3209, December 2001, <<http://www.rfc-editor.org/info/rfc3209>>.
- [RFC5036] Andersson, L., Ed., Minei, I., Ed., and B. Thomas, Ed., "LDP Specification", RFC 5036, DOI 10.17487/RFC5036, October 2007, <<http://www.rfc-editor.org/info/rfc5036>>.
- [RFC5659] Bocci, M. and S. Bryant, "An Architecture for Multi-Segment Pseudowire Emulation Edge-to-Edge", RFC 5659, DOI 10.17487/RFC5659, October 2009, <<http://www.rfc-editor.org/info/rfc5659>>.
- [RFC5714] Shand, M. and S. Bryant, "IP Fast Reroute Framework", RFC 5714, DOI 10.17487/RFC5714, January 2010, <<http://www.rfc-editor.org/info/rfc5714>>.
- [RFC5880] Katz, D. and D. Ward, "Bidirectional Forwarding Detection (BFD)", RFC 5880, DOI 10.17487/RFC5880, June 2010, <<http://www.rfc-editor.org/info/rfc5880>>.
- [RFC5085] Nadeau, T., Ed. and C. Pignataro, Ed., "Pseudowire Virtual Circuit Connectivity Verification (VCCV): A Control Channel for Pseudowires", RFC 5085, DOI 10.17487/RFC5085, December 2007, <<http://www.rfc-editor.org/info/rfc5085>>.
- [RFC5885] Nadeau, T., Ed. and C. Pignataro, Ed., "Bidirectional Forwarding Detection (BFD) for the Pseudowire Virtual Circuit Connectivity Verification (VCCV)", RFC 5885, DOI 10.17487/RFC5885, June 2010, <<http://www.rfc-editor.org/info/rfc5885>>.
- [RFC7880] Pignataro, C., Ward, D., Akiya, N., Bhatia, M., and S. Pallagatti, "Seamless Bidirectional Forwarding Detection (S-BFD)", RFC 7880, DOI 10.17487/RFC7880, July 2016, <<http://www.rfc-editor.org/info/rfc7880>>.

## Acknowledgements

This document leverages work done by Hannes Gredler, Yakov Rekhter, Minto Jeyanthan, Kevin Wang, and several others on MPLS edge protection. Thanks to Nischal Sheth and Bhupesh Kothari for their contributions. Thanks to John E. Drake, Andrew G. Malis, Alexander Vainshtein, Stewart Bryant, and Mach(Guoyi) Chen for valuable comments that helped shape this document and improve its clarity.

## Authors' Addresses

Yimin Shen  
Juniper Networks  
10 Technology Park Drive  
Westford, MA 01886  
United States of America

Phone: +1 9785890722  
Email: yshen@juniper.net

Rahul Aggarwal  
Arktan, Inc.

Email: raggarwa\_1@yahoo.com

Wim Henderickx  
Nokia  
Copernicuslaan 50  
2018 Antwerp  
Belgium

Email: wim.henderickx@nokia.com

Yuanlong Jiang  
Huawei Technologies Co., Ltd.  
Bantian, Longgang district  
Shenzhen 518129  
China

Email: jiangyuanlong@huawei.com

