

Internet Engineering Task Force (IETF)  
Request for Comments: 8930  
Category: Standards Track  
ISSN: 2070-1721

T. Watteyne, Ed.  
Analog Devices  
P. Thubert, Ed.  
Cisco Systems  
C. Bormann  
Universität Bremen TZI  
November 2020

## On Forwarding 6LoWPAN Fragments over a Multi-Hop IPv6 Network

### Abstract

This document provides generic rules to enable the forwarding of an IPv6 over Low-Power Wireless Personal Area Network (6LoWPAN) fragment over a route-over network. Forwarding fragments can improve both end-to-end latency and reliability as well as reduce the buffer requirements in intermediate nodes; it may be implemented using RFC 4944 and Virtual Reassembly Buffers (VRBs).

### Status of This Memo

This is an Internet Standards Track document.

This document is a product of the Internet Engineering Task Force (IETF). It represents the consensus of the IETF community. It has received public review and has been approved for publication by the Internet Engineering Steering Group (IESG). Further information on Internet Standards is available in Section 2 of RFC 7841.

Information about the current status of this document, any errata, and how to provide feedback on it may be obtained at <https://www.rfc-editor.org/info/rfc8930>.

### Copyright Notice

Copyright (c) 2020 IETF Trust and the persons identified as the document authors. All rights reserved.

This document is subject to BCP 78 and the IETF Trust's Legal Provisions Relating to IETF Documents (<https://trustee.ietf.org/license-info>) in effect on the date of publication of this document. Please review these documents carefully, as they describe your rights and restrictions with respect to this document. Code Components extracted from this document must include Simplified BSD License text as described in Section 4.e of the Trust Legal Provisions and are provided without warranty as described in the Simplified BSD License.

### Table of Contents

1. Introduction
2. Terminology
  - 2.1. Requirements Language
  - 2.2. Background
  - 2.3. New Terms
3. Overview of 6LoWPAN Fragmentation
4. Limitations of Per-Hop Fragmentation and Reassembly
  - 4.1. Latency
  - 4.2. Memory Management and Reliability
5. Forwarding Fragments
6. Virtual Reassembly Buffer (VRB) Implementation
7. Security Considerations
8. IANA Considerations
9. References
  - 9.1. Normative References
  - 9.2. Informative References

## 1. Introduction

The original 6LoWPAN fragmentation is defined in [RFC4944] for use over a single Layer 3 hop, though multiple Layer 2 hops in a mesh-under network is also possible, and was not modified by the update in [RFC6282]. 6LoWPAN operations including fragmentation depend on a link-layer security that prevents any rogue access to the network.

In a route-over 6LoWPAN network, an IP packet is expected to be reassembled at each intermediate hop, uncompressed, pushed to Layer 3 to be routed, and then compressed and fragmented again. This document introduces an alternate approach called 6LoWPAN Fragment Forwarding (6LFF) whereby an intermediate node forwards a fragment (or the bulk thereof, MTU permitting) without reassembling if the next hop is a similar 6LoWPAN link. The routing decision is made on the first fragment of the datagram, which has the IPv6 routing information. The first fragment is forwarded immediately, and a state is stored to enable forwarding the next fragments along the same path.

Done right, 6LoWPAN Fragment Forwarding techniques lead to more streamlined operations, less buffer bloat, and lower latency. But it may be wasteful when fragments are missing, leading to locked resources and low throughput, and it may be misused to the point that the end-to-end latency of one packet falls behind that of per-hop reassembly.

This specification provides a generic overview of 6LFF, discusses advantages and caveats, and introduces a particular 6LFF technique called "Virtual Reassembly Buffer" (VRB) that can be used while retaining the message formats defined in [RFC4944]. Basic recommendations such as the insertion of an inter-frame gap between fragments are provided to avoid the most typical caveats.

## 2. Terminology

### 2.1. Requirements Language

The key words "MUST", "MUST NOT", "REQUIRED", "SHALL", "SHALL NOT", "SHOULD", "SHOULD NOT", "RECOMMENDED", "NOT RECOMMENDED", "MAY", and "OPTIONAL" in this document are to be interpreted as described in BCP 14 [RFC2119] [RFC8174] when, and only when, they appear in all capitals, as shown here.

### 2.2. Background

Past experience with fragmentation, e.g., as described in "IPv4 Reassembly Errors at High Data Rates" [RFC4963] and references therein, has shown that misassociated or lost fragments can lead to poor network behavior and, occasionally, trouble at the application layer. That experience led to the definition of the "Path MTU Discovery for IP version 6" [RFC8201] protocol that limits fragmentation over the Internet.

"IP Fragmentation Considered Fragile" [RFC8900] discusses security threats that are linked to using IP fragmentation. The 6LoWPAN fragmentation takes place underneath the IP Layer, but some issues described there may still apply to 6LoWPAN fragments (as discussed in further details in Section 7).

Readers are expected to be familiar with all the terms and concepts that are discussed in "IPv6 over Low-Power Wireless Personal Area Networks (6LoWPANs): Overview, Assumptions, Problem Statement, and Goals" [RFC4919] and "Transmission of IPv6 Packets over IEEE 802.15.4 Networks" [RFC4944].

"Multiprotocol Label Switching Architecture" [RFC3031] states that with MPLS,

packets are "labeled" before they are forwarded. At subsequent hops, there is no further analysis of the packet's network layer header. Rather, the label is used as an index into a table which specifies the next hop, and a new label.

The MPLS technique is leveraged in the present specification to forward fragments that actually do not have a network-layer header, since the fragmentation occurs below IP.

### 2.3. New Terms

This specification uses the following terms:

**6LoWPAN Fragment Forwarding Endpoints:** The 6LFF endpoints are the first and last nodes in an unbroken string of 6LFF nodes. They are also the only points where the fragmentation and reassembly operations take place.

**Compressed Form:** This specification uses the generic term "compressed form" to refer to the format of a datagram after the action of [RFC6282] and possibly [RFC8138] for Routing Protocol for Low-Power and Lossy Network (RPL) [RFC6550] artifacts.

**Datagram\_Size:** The size of the datagram in its compressed form before it is fragmented.

**Datagram\_Tag:** An identifier of a datagram that is locally unique to the Layer 2 sender. Associated with the link-layer address of the sender, this becomes a globally unique identifier for the datagram within the duration of its transmission.

**Fragment\_Offset:** The offset of a fragment of a datagram in its compressed form.

### 3. Overview of 6LoWPAN Fragmentation

Figure 1 illustrates 6LoWPAN fragmentation. We assume node A forwards a packet to node B, possibly as part of a multi-hop route between 6LoWPAN Fragment Forwarding endpoints, which may be neither A nor B, though 6LoWPAN may compress the IP header better when they are both the 6LFF and the 6LoWPAN compression endpoints.

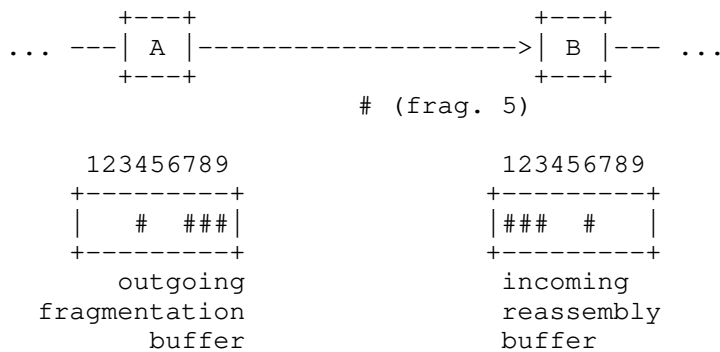


Figure 1: Fragmentation at Node A, and Reassembly at Node B

Typically, node A starts with an uncompressed packet and compacts the IPv6 packet using the header compression mechanism defined in [RFC6282]. If the resulting 6LoWPAN packet does not fit into a single link-layer frame, node A's 6LoWPAN sub-layer cuts it into multiple 6LoWPAN fragments, which it transmits as separate link-layer frames to node B. Node B's 6LoWPAN sub-layer reassembles these fragments, inflates the compressed header fields back to the original IPv6 header, and hands over the full IPv6 packet to its IPv6 layer.

In Figure 1, a packet forwarded by node A to node B is cut into nine fragments, numbered 1 to 9 as follows:

\* Each fragment is represented by the '#' symbol.

- \* Node A has sent fragments 1, 2, 3, 5, and 6 to node B.
- \* Node B has received fragments 1, 2, 3, and 6 from node A.
- \* Fragment 5 is still being transmitted at the link layer from node A to node B.

The reassembly buffer for 6LoWPAN is indexed in node B by:

- \* a unique identifier of node A (e.g., node A's link-layer address).
- \* the Datagram\_Tag chosen by node A for this fragmented datagram.

Because it may be hard for node B to correlate all possible link-layer addresses that node A may use (e.g., short versus long addresses), node A must use the same link-layer address to send all the fragments of the same datagram to node B.

Conceptually, the reassembly buffer in node B contains:

- \* a Datagram\_Tag as received in the incoming fragments, associated with the interface and the link-layer address of node A for which the received Datagram\_Tag is unique,
- \* the actual packet data from the fragments received so far, in a form that makes it possible to detect when the whole packet has been received and can be processed or forwarded,
- \* a state indicating the fragments already received,
- \* a Datagram\_Size, and
- \* a timer that allows discarding a partially reassembled packet after some timeout.

A fragmentation header is added to each fragment; it indicates what portion of the packet that fragment corresponds to. Section 5.3 of [RFC4944] defines the format of the header for the first and subsequent fragments. All fragments are tagged with a 16-bit "Datagram\_Tag", used to identify which packet each fragment belongs to. Each datagram can be uniquely identified by the sender link-layer addresses of the frame that carries it and the Datagram\_Tag that the sender allocated for this datagram. [RFC4944] also mandates that the first fragment is sent first and with a particular format that is different than that of the next fragments. Each fragment except for the first one can be identified within its datagram by the datagram-offset.

Node B's typical behavior, per [RFC4944], is as follows. Upon receiving a fragment from node A with a Datagram\_Tag previously unseen from node A, node B allocates a buffer large enough to hold the entire packet. The length of the packet is indicated in each fragment (the Datagram\_Size field), so node B can allocate the buffer even if the fragment it receives first is not the first fragment. As fragments come in, node B fills the buffer. When all fragments have been received, node B inflates the compressed header fields into an IPv6 header and hands the resulting IPv6 packet to the IPv6 layer, which performs the route lookup. This behavior typically results in per-hop fragmentation and reassembly. That is, the packet is fully reassembled, then (re-)fragmented, at every hop.

#### 4. Limitations of Per-Hop Fragmentation and Reassembly

There are at least two limitations to doing per-hop fragmentation and reassembly. See [ARTICLE] for detailed simulation results on both limitations.

##### 4.1. Latency

When reassembling, a node needs to wait for all the fragments to be

received before being able to re-form the IPv6 packet and possibly forwarding it to the next hop. This repeats at every hop.

This may result in increased end-to-end latency compared to a case where each fragment is forwarded without per-hop reassembly.

#### 4.2. Memory Management and Reliability

Constrained nodes have limited memory. Assuming a reassembly buffer for a 6LoWPAN MTU of 1280 bytes as defined in Section 4 of [RFC4944], typical nodes only have enough memory for 1-3 reassembly buffers.

To illustrate this, we use the topology from Figure 2, where nodes A, B, C, and D all send packets through node E. We further assume that node E's memory can only hold 3 reassembly buffers.

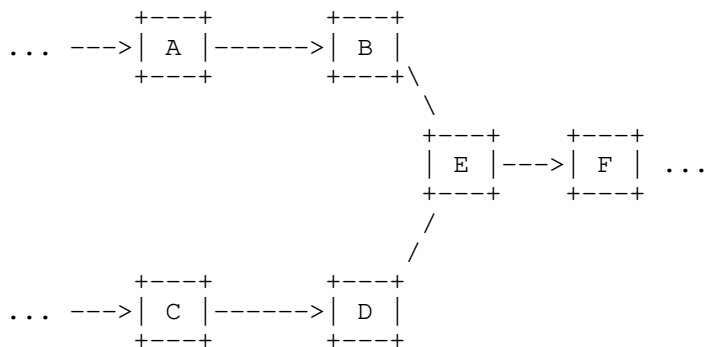


Figure 2: Illustrating the Memory Management Issue

When nodes A, B, and C concurrently send fragmented packets, all three reassembly buffers in node E are occupied. If, at that moment, node D also sends a fragmented packet, node E has no option but to drop one of the packets, lowering end-to-end reliability.

#### 5. Forwarding Fragments

A 6LoWPAN Fragment Forwarding technique makes the routing decision on the first fragment, which is always the one with the IPv6 address of the destination. Upon receiving a first fragment, a forwarding node (e.g., node B in an A->B->C sequence) that does fragment forwarding MUST attempt to create a state and forward the fragment. This is an atomic operation, and if the first fragment cannot be forwarded, then the state MUST be removed.

Since the Datagram\_Tag is uniquely associated with the source link-layer address of the fragment, the forwarding node MUST assign a new Datagram\_Tag from its own namespace for the next hop and rewrite the fragment header of each fragment with that Datagram\_Tag.

When a forwarding node receives a fragment other than a first fragment, it MUST look up state based on the source link-layer address and the Datagram\_Tag in the received fragment. If no such state is found, the fragment MUST be dropped; otherwise, the fragment MUST be forwarded using the information in the state found.

Compared to Section 3, the conceptual reassembly buffer in node B now contains the following, assuming that node B is neither the source nor the final destination:

- \* a Datagram\_Tag as received in the incoming fragments, associated with the interface and the link-layer address of node A for which the received Datagram\_Tag is unique.
- \* the link-layer address that node B uses as the source to forward the fragments.
- \* the interface and the link-layer address of the next-hop C that is resolved on the first fragment.

- \* a Datagram\_Tag that node B uniquely allocated for this datagram and that is used when forwarding the fragments of the datagram.
- \* a buffer for the remainder of a previous fragment left to be sent.
- \* a timer that allows discarding the stale 6LFF state after some timeout. The duration of the timer should be longer than that which covers the reassembly at the receiving endpoint.

A node that has not received the first fragment cannot forward the next fragments. This means that if node B receives a fragment, node A was in possession of the first fragment at some point. To keep the operation simple and consistent with [RFC4944], the first fragment MUST always be sent first. When that is done, if node B receives a fragment that is not the first and for which it has no state, then node B treats it as an error and refrains from creating a state or attempting to forward. This also means that node A should perform all its possible retries on the first fragment before it attempts to send the next fragments, and that it should abort the datagram and release its state if it fails to send the first fragment.

Fragment forwarding obviates some of the benefits of the 6LoWPAN header compression [RFC6282] in intermediate hops. In return, the memory used to store the packet is distributed along the path, which limits the buffer-bloat effect. Multiple fragments may progress simultaneously along the network as long as they do not interfere. An associated caveat is that on a half-duplex radio, if node A sends the next fragment at the same time as node B forwards the previous fragment to node C down the path, then node B will miss it. If node C forwards the previous fragment to node D at the same time and on the same frequency as node A sends the next fragment to node B, this may result in a hidden terminal problem. In that case, the transmission from node C interferes at node B with that from node A, unbeknownst to node A. Consecutive fragments of a same datagram MUST be separated with an inter-frame gap that allows one fragment to progress beyond the next hop and beyond the interference domain before the next shows up. This can be achieved by interleaving packets or fragments sent via different next-hop routers.

## 6. Virtual Reassembly Buffer (VRB) Implementation

The VRB [LWIG-VRB] is a particular incarnation of a 6LFF that can be implemented without a change to [RFC4944].

VRB overcomes the limitations listed in Section 4. Nodes do not wait for the last fragment before forwarding, reducing end-to-end latency. Similarly, the memory footprint of VRB is just the VRB table, reducing the packet drop probability significantly.

However, there are other caveats:

**Non-zero Packet Drop Probability:** The abstract data in a VRB table entry contains at a minimum the link-layer address of the predecessor and the successor, the Datagram\_Tag used by the predecessor, and the local Datagram\_Tag that this node will swap with it. The VRB may need to store a few octets from the last fragment that may not have fit within MTU and that will be prepended to the next fragment. This yields a small footprint that is 2 orders of magnitude smaller, compared to needing a 1280-byte reassembly buffer for each packet. Yet, the size of the VRB table necessarily remains finite. In the extreme case where a node is required to concurrently forward more packets than it has entries in its VRB table, packets are dropped.

**No Fragment Recovery:** There is no mechanism in VRB for the node that reassembles a packet to request a single missing fragment. Dropping a fragment requires the whole packet to be resent. This causes unnecessary traffic, as fragments are forwarded even when the destination node can never construct the original IPv6 packet.

**No Per-Fragment Routing:** All subsequent fragments follow the same

sequence of hops from the source to the destination node as the first fragment, because the IP header is required in order to route the fragment and is only present in the first fragment. A side effect is that the first fragment must always be forwarded first.

The severity and occurrence of these caveats depend on the link layer used. Whether they are acceptable depends entirely on the requirements the application places on the network.

If the caveats are present and not acceptable for the application, alternative specifications may define new protocols to overcome them. One example is [RFC8931], which specifies a 6LFF technique that allows the end-to-end fragment recovery between the 6LFF endpoints.

## 7. Security Considerations

An attacker can perform a Denial-of-Service (DoS) attack on a node implementing VRB by generating a large number of bogus "fragment 1" fragments without sending subsequent fragments. This causes the VRB table to fill up. Note that the VRB does not need to remember the full datagram as received so far but only possibly a few octets from the last fragment that could not fit in it. It is expected that an implementation protects itself to keep the number of VRBs within capacity, and that old VRBs are protected by a timer of a reasonable duration for the technology and destroyed upon timeout.

Secure joining and the link-layer security that it sets up protects against those attacks from network outsiders.

"IP Fragmentation Considered Fragile" [RFC8900] discusses security threats and other caveats that are linked to using IP fragmentation. The 6LoWPAN fragmentation takes place underneath the IP Layer, but some issues described there may still apply to 6LoWPAN fragments.

- \* Overlapping fragment attacks are possible with 6LoWPAN fragments, but there is no known firewall operation that would work on 6LoWPAN fragments at the time of this writing, so the exposure is limited. An implementation of a firewall SHOULD NOT forward fragments but instead should recompose the IP packet, check it in the uncompressed form, and then forward it again as fragments if necessary. Overlapping fragments are acceptable as long as they contain the same payload. The firewall MUST drop the whole packet if overlapping fragments are encountered that result in different data at the same offset.
- \* Resource-exhaustion attacks are certainly possible and a sensitive issue in a constrained network. An attacker can perform a DoS attack on a node implementing VRB by generating a large number of bogus first fragments without sending subsequent fragments. This causes the VRB table to fill up. When hop-by-hop reassembly is used, the same attack can be more damaging if the node allocates a full `Datagram_Size` for each bogus first fragment. With the VRB, the attack can be performed remotely on all nodes along a path, but each node suffers a lesser hit. This is because the VRB does not need to remember the full datagram as received so far but only possibly a few octets from the last fragment that could not fit in it. An implementation MUST protect itself to keep the number of VRBs within capacity and to ensure that old VRBs are protected by a timer of a reasonable duration for the technology and destroyed upon timeout.
- \* Attacks based on predictable fragment identification values are also possible but can be avoided. The `Datagram_Tag` SHOULD be assigned pseudorandomly in order to reduce the risk of such attacks. A larger size of the `Datagram_Tag` makes the guessing more difficult and reduces the chances of an accidental reuse while the original packet is still in flight, at the expense of more space in each frame. Nonetheless, some level of risk remains because an attacker that is able to authenticate to and send traffic on the network can guess a valid `Datagram_Tag` value, since

there are only a limited number of possible values.

- \* Evasion of Network Intrusion Detection Systems (NIDSs) leverages ambiguity in the reassembly of the fragment. This attack makes little sense in the context of this specification since the fragmentation happens within the Low-Power and Lossy Network (LLN), meaning that the intruder should already be inside to perform the attack. NIDS systems would probably not be installed within the LLN either but rather at a bottleneck at the exterior edge of the network.

## 8. IANA Considerations

This document has no IANA actions.

## 9. References

### 9.1. Normative References

- [RFC2119] Bradner, S., "Key words for use in RFCs to Indicate Requirement Levels", BCP 14, RFC 2119, DOI 10.17487/RFC2119, March 1997, <<https://www.rfc-editor.org/info/rfc2119>>.
- [RFC4919] Kushalnagar, N., Montenegro, G., and C. Schumacher, "IPv6 over Low-Power Wireless Personal Area Networks (6LoWPANs): Overview, Assumptions, Problem Statement, and Goals", RFC 4919, DOI 10.17487/RFC4919, August 2007, <<https://www.rfc-editor.org/info/rfc4919>>.
- [RFC4944] Montenegro, G., Kushalnagar, N., Hui, J., and D. Culler, "Transmission of IPv6 Packets over IEEE 802.15.4 Networks", RFC 4944, DOI 10.17487/RFC4944, September 2007, <<https://www.rfc-editor.org/info/rfc4944>>.
- [RFC8174] Leiba, B., "Ambiguity of Uppercase vs Lowercase in RFC 2119 Key Words", BCP 14, RFC 8174, DOI 10.17487/RFC8174, May 2017, <<https://www.rfc-editor.org/info/rfc8174>>.

### 9.2. Informative References

- [ARTICLE] Tanaka, Y., Minet, P., and T. Watteyne, "6LoWPAN Fragment Forwarding", IEEE Communications Standards Magazine, Vol. 3, Issue 1, pp. 35-39, DOI 10.1109/MCOMSTD.2019.1800029, March 2019, <<https://ieeexplore.ieee.org/abstract/document/8771317>>.
- [LWIG-VRB] Bormann, C. and T. Watteyne, "Virtual reassembly buffers in 6LoWPAN", Work in Progress, Internet-Draft, draft-ietf-lwig-6lowpan-virtual-reassembly-02, 9 March 2020, <<https://tools.ietf.org/html/draft-ietf-lwig-6lowpan-virtual-reassembly-02>>.
- [RFC3031] Rosen, E., Viswanathan, A., and R. Callon, "Multiprotocol Label Switching Architecture", RFC 3031, DOI 10.17487/RFC3031, January 2001, <<https://www.rfc-editor.org/info/rfc3031>>.
- [RFC4963] Heffner, J., Mathis, M., and B. Chandler, "IPv4 Reassembly Errors at High Data Rates", RFC 4963, DOI 10.17487/RFC4963, July 2007, <<https://www.rfc-editor.org/info/rfc4963>>.
- [RFC6282] Hui, J., Ed. and P. Thubert, "Compression Format for IPv6 Datagrams over IEEE 802.15.4-Based Networks", RFC 6282, DOI 10.17487/RFC6282, September 2011, <<https://www.rfc-editor.org/info/rfc6282>>.
- [RFC6550] Winter, T., Ed., Thubert, P., Ed., Brandt, A., Hui, J., Kelsey, R., Levis, P., Pister, K., Struik, R., Vasseur, JP., and R. Alexander, "RPL: IPv6 Routing Protocol for



Low-Power and Lossy Networks", RFC 6550,  
DOI 10.17487/RFC6550, March 2012,  
<<https://www.rfc-editor.org/info/rfc6550>>.

- [RFC8138] Thubert, P., Ed., Bormann, C., Toutain, L., and R. Cragie,  
"IPv6 over Low-Power Wireless Personal Area Network  
(6LoWPAN) Routing Header", RFC 8138, DOI 10.17487/RFC8138,  
April 2017, <<https://www.rfc-editor.org/info/rfc8138>>.
- [RFC8201] McCann, J., Deering, S., Mogul, J., and R. Hinden, Ed.,  
"Path MTU Discovery for IP version 6", STD 87, RFC 8201,  
DOI 10.17487/RFC8201, July 2017,  
<<https://www.rfc-editor.org/info/rfc8201>>.
- [RFC8900] Bonica, R., Baker, F., Huston, G., Hinden, R., Troan, O.,  
and F. Gont, "IP Fragmentation Considered Fragile",  
BCP 230, RFC 8900, DOI 10.17487/RFC8900, September 2020,  
<<https://www.rfc-editor.org/info/rfc8900>>.
- [RFC8931] Thubert, P., Ed., "IPv6 over Low-Power Wireless Personal  
Area Network (6LoWPAN) Selective Fragment Recovery",  
RFC 8931, DOI 10.17487/RFC8931, November 2020,  
<<https://www.rfc-editor.org/info/rfc8931>>.

#### Acknowledgments

The authors would like to thank Carles Gomez Montenegro, Yasuyuki Tanaka, Ines Robles, and Dave Thaler for their in-depth review of this document and suggestions for improvement. Many thanks to Georgios Papadopoulos and Dominique Barthel for their contributions during the WG activities. And many thanks as well to Roman Danyliw, Barry Leiba, Murray Kucherawy, Derrell Piper, Sarah Banks, Joerg Ott, Francesca Palombini, Mirja Kühlewind, Å\211ric Vyncke, and especially Benjamin Kaduk for their constructive reviews through the IETF last call and IESG process.

#### Authors' Addresses

Thomas Watteyne (editor)  
Analog Devices  
32990 Alvarado-Niles Road, Suite 910  
Union City, CA 94587  
United States of America

Email: [thomas.watteyne@analog.com](mailto:thomas.watteyne@analog.com)

Pascal Thubert (editor)  
Cisco Systems, Inc  
Building D  
45 Allee des Ormes - BP1200  
06254 Mougins - Sophia Antipolis  
France

Phone: +33 497 23 26 34  
Email: [pthubert@cisco.com](mailto:pthubert@cisco.com)

Carsten Bormann  
Universität Bremen TZI  
Postfach 330440  
D-28359 Bremen  
Germany

Phone: +49-421-218-63921  
Email: [cabo@tzi.org](mailto:cabo@tzi.org)