

Network Working Group
Request for Comments: 2114
Category: Informational
Obsoletes: 2106

S. Chiang
J. Lee
Cisco Systems, Inc.
H. Yasuda
Mitsubishi Electric Corp.
February 1997

Data Link Switching Client Access Protocol

Status of this Memo

This memo provides information for the Internet community. This memo does not specify an Internet standard of any kind. Distribution of this memo is unlimited.

Abstract

This memo describes the Data Link Switching Client Access Protocol that is used between workstations and routers to transport SNA/NetBIOS traffic over TCP sessions. Any questions or comments should be sent to dcap@cisco.com.

Table of Contents

1. Introduction	2
2. Overview	2
2.1 DCAP Client/Server Model	2
2.2 Dynamic Address Resolution	3
2.3 TCP Connection	4
2.4 Multicast and Unicast (UDP)	4
3. DCAP Format	6
3.1 General Frame Format	6
3.2 Header Format	6
3.3 DCAP Messages	7
3.4 DCAP Data formats	8
3.4.1 CAN_U_REACH, I_CAN_REACH, and I_CANNOT_REACH Frames ..	8
3.4.2 START_DL, DL_STARTED, and START_DL_FAILED Frames	9
3.4.3 HALT_DL, HALT_DL_NOACK, and DL_HALTED Frames	13
3.4.4 XID_FRAME, CONTACT_STN, STN_CONTACTED, INFO_FRAME, FCM_FRAME, and DGRM_FRAME	14
3.4.5 DATA_FRAME	15
3.4.6 CAP_XCHANGE Frame	16
3.4.7 CLOSE_PEER_REQ Frames	19
3.4.8 CLOSE_PEER_RSP, PEER_TEST_REQ, and PEER_TEST_RSP Frames	20
4. Protocol Flow Diagram	20
5. Acknowledgments	22
6. References	22

1. Introduction

Since the Data Link Switching Protocol, RFC 1795, was published, some software vendors have begun implementing DLSw on workstations. The implementation of DLSw on a large number of workstations raises several important issues that must be addressed. Scalability is the major concern. For example, the number of TCP sessions to the DLSw router increases in direct proportion to the number of workstations added. Another concern is efficiency. Since DLSw is a switch-to-switch protocol, it is not efficient when implemented on workstations.

DCAP addresses the above issues. It introduces a hierarchical structure to resolve the scalability problems. All workstations are clients to the router (server) rather than peers to the router. This creates a client/server model. It also provides a more efficient protocol between the workstation (client) and the router (server).

2. Overview

2.1. DCAP Client/Server Model

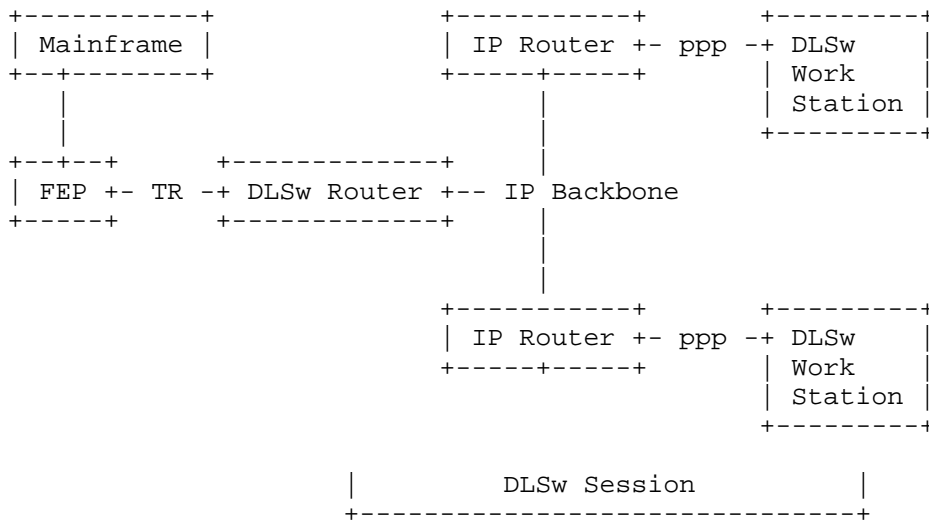


Figure 2-1. Running DLSw on a large number of workstations creates a scalability problem.

Figure 2-1 shows a typical DLSw implementation on a workstation. The workstations are connected to the central site DLSw router over the IP network. As the network grows, scalability will become an issue as the number of TCP sessions increases due to the growing number of workstations.

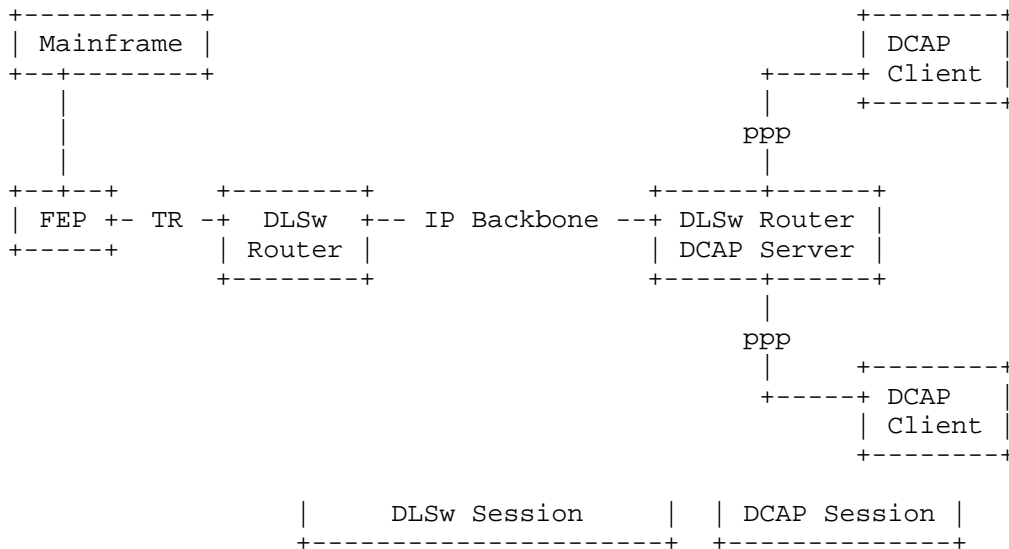


Figure 2-2. DLSw Client Access Protocol solves the scalability problem.

In a large network, DCAP addresses the scalability problem by significantly reducing the number of peers that connect to the central site router. The workstations (DCAP clients) and the router (DCAP server) behave in a Client/Server relationship. Workstations are attached to a DCAP server. A DCAP server has a single peer connection to the central site router.

2.2. Dynamic Address Resolution

In a DLSw network, each workstation needs a MAC address to communicate with a FEP attached to a LAN. When DLSw is implemented on a workstation, it does not always have a MAC address defined. For example, when a workstation connects to a router through a modem via PPP, it only consists of an IP address. In this case, the user must define a virtual MAC address. This is administratively intensive since each workstation must have a unique MAC address.

DCAP uses the Dynamic Address Resolution protocol to solve this problem. The Dynamic Address Resolution protocol permits the server to dynamically assign a MAC address to a client without complex configuration.

For a client to initiate a session to a server, the workstation sends a direct request to the server. The request contains the destination MAC address and the destination SAP. The workstation can either specify its own MAC address, or request the server to assign one to

it. The server's IP address must be pre-configured on the workstation. If IP addresses are configured for multiple servers at a workstation, the request can be sent to these servers and the first one to respond will be used.

For a server to initiate a session to a client, the server sends a directed request to the workstation. The workstation must pre-register its MAC address at the server. This can be done either by configuration on the server or registration at the server (both MAC addresses and IP addresses will be registered).

2.3. TCP Connection

The transport used between the client and the server is TCP. A TCP session must be established between the client and the server before a frame can be sent. The default parameters associated with the TCP connections between the client and the server are as follows:

Socket Family	AF_INET	(Internet protocols)
Socket Type	SOCK_STREAM	(stream socket)
Port Number	1973	

There is only one TCP connection between the client and the server. It is used for both read and write operations.

A race condition occurs when both client and server try to establish the TCP session with each other at the same time. The TCP session of the initiator with the lower IP address will be used. The other TCP session will be closed.

2.4 Multicast and Unicast (UDP)

Multicast and unicast with UDP support are optional. In the reset of this session, when multicast and unicast are referenced, UDP is used. Two multicast addresses are reserved for DCAP. The server should listen for 224.0.1.49 and the client should listen for 224.0.1.50. Not all DCAP frames can be sent via multicast or unicast. The DATA_FRAME can be sent via either multicast or unicast. The CAN_U_REACH frame can be sent via multicast only and the I_CAN_REACH frame can be sent via unicast only. All other DCAP frames can only be sent via TCP sessions.

When the multicast and unicast support is implemented, the client does not have to configure the server's IP address. When the client attempts to establish a session to the host, instead of establishing a TCP session with the pre-configured server, the client can multicast the CAN_U_REACH frame to the 224.0.1.49 group address. When the server receives this multicast frame, it will locate the

destination as specified in the frame. If the destination is reachable by this server, it will send back an I_CAN_REACH frame to the sender via unicast. The client can initiate a TCP connection to the server and establish a DCAP session. If the I_CAN_REACH frame is received from multiple servers, the first one who returns the I_CAN_REACH frame will be used.

When the host initiates a session to the client, the client does not have to pre-register its MAC address at the server. When the server attempts to reach an unknown client, it will multicast the CAN_U_REACH frame to the 224.0.10.50 group address. The client whose MAC address matches the destination address in the CAN_U_REACH frame will reply with the I_CAN_REACH frame via unicast. Once the server receives the I_CAN_REACH frame, it can establish a DCAP session with that client.

For NetBIOS traffic, NAME_QUERY and ADD_NAME_QUERY can be encapsulated in the DATA_FRAME and sent out via multicast. NAME_RECOGNIZED and ADD_NAME_RESPONSE can be encapsulated in the DATA_FRAME but sent out via unicast. No other NetBIOS frames can be encapsulated in the DATA_FRAME to be sent out via either multicast or unicast.

When a client tries to locate a name or check for duplicate name on the network, it can multicast a NAME_QUERY or ADD_NAME_QUERY frame encapsulated in the DATA_FRAME. When a server receives these frames, NetBIOS NAME_QUERY or ADD_NAME_QUERY frames will be forwarded to LAN. If the NAME_RECOGNIZED or ADD_NAME_RESPONSE frame is received from LAN, they will be encapsulated in the DATA_FRAME and sent to the client via unicast.

When a server receives a NetBIOS NAME_QUERY or ADD_NAME_QUERY from LAN, the server will encapsulate it in the DATA_FRAME and send it to all clients via multicast. When a client receives the frame and determines that the name specified in the DATA_FRAME matches its own name, a NAME_RECOGNIZED or ADD_NAME_RESPONSE frame will be encapsulated in the DATA_FRAME and sent back to the server via unicast.

3. DCAP Format

3.1. General Frame Format

The General format of the DCAP frame is as follows:

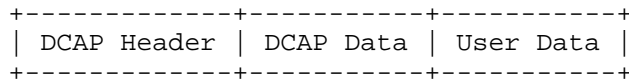


Figure 3-1. DCAP Frame Format

The DCAP protocol is contained in the DCAP header, which is common to all frames passed between the DCAP client and the server. This header is 4 bytes long. The next section will explain the details.

The next part is the DCAP Data. The structure and the size are based on the type of messages carried in the DCAP frame. The DCAP data is used to process the frame, but it is optional.

The third part of the frame is the user data, which is sent by the local system to the remote system. The size of this block is variable and is included in the frame only when there is data to be sent to the remote system.

3.2. Header Format

The DCAP header is used to identify the message type and the length of the frame. This is a general purpose header used for each frame that is passed between the DCAP server and the client. More information is needed for frames like CAN_U_REACH and I_CAN_REACH, therefore, it is passed to the peer as DCAP data. The structure of the DCAP data depends on the type of frames, and will be discussed in detail in later sections.

The DCAP Header is given below:

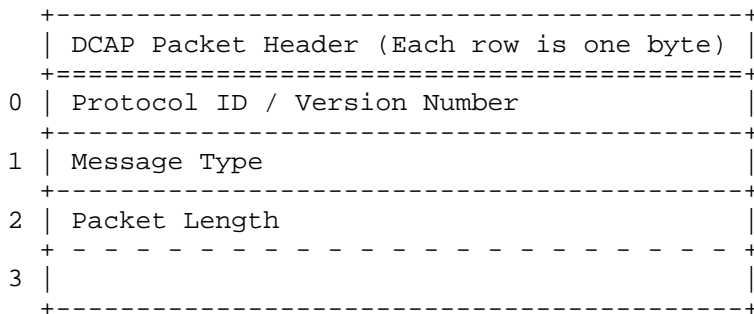


Figure 3-2. DCAP Header Format

- o The Protocol ID uses the first 4 bits of this field and is set to "1000".
- o The Version Number uses the next 4 bits in this field and is set to "0001".
- o The message type is the DCAP message type.
- o The Total Packet length is the length of the packet including the DCAP header, DCAP data and User Data. The minimum size of the packet is 4, which is the length of the header.

3.3. DCAP Messages

Most of the DCAP frames are based on the existing DLSw frames and corresponding frames have similar names. The information in the corresponding DCAP and DLSw frames may differ; but the functionalities are the same. Thus the DLSw State Machine is used to handle these DCAP frames. Some new DCAP frames were created to handle special DCAP functions. For example, the new DCAP frames, I_CANNOT_REACH and START_DL_FAILED provide negative acknowledgment. The DLSw frames not needed for DCAP, are dropped.

The following table lists and describes all available DCAP messages:

DCAP Frame Name	Code	Function
-----	----	-----
CAN_U_REACH	0x01	Find if the station given is reachable
I_CAN_REACH	0x02	Positive response to CAN_U_REACH
I_CANNOT_REACH	0x03	Negative response to CAN_U_REACH
START_DL	0x04	Setup session for given addresses
DL_STARTED	0x05	Session Started
START_DL_FAILED	0x06	Session Start failed
XID_FRAME	0x07	XID Frame
CONTACT_STN	0x08	Contact destination to establish SABME
STN_CONTACTED	0x09	Station contacted - SABME mode set
DATA_FRAME	0x0A	Connectionless Data Frame for a link
INFO_FRAME	0x0B	Connection oriented I-Frame
HALT_DL	0x0C	Halt Data Link session
HALT_DL_NOACK	0x0D	Halt Data Link session without ack
DL_HALTED	0x0E	Session Halted
FCM_FRAME	0x0F	Data Link Session Flow Control Message
DGRM_FRAME	0x11	Connectionless Datagram Frame for a circuit

CAP_XCHANGE	0x12	Capabilities Exchange Message
CLOSE_PEER_REQUEST	0x13	Disconnect Peer Connection Request
CLOSE_PEER_RESPONSE	0x14	Disconnect Peer Connection Response
PEER_TEST_REQ	0x1D	Peer keepalive test request
PEER_TEST_RSP	0x1E	Peer keepalive response

Table 3-1. DCAP Frames

3.4. DCAP Data formats

The DCAP data is used to carry information required for each DCAP frame. This information is used by the Server or the Client and it does not contain any user data. The DCAP data frame types are listed in the following sections. Please note that the sender should set the reserved fields to zero and the receiver should ignore these fields.

3.4.1. CAN_U_REACH, I_CAN_REACH, and I_CANNOT_REACH Frames

These frame types are used to locate resources in a network. A CAN_U_REACH frame is sent to the server to determine if the resource is reachable. When a server receives a CAN_U_REACH frame, it should send out an LLC explorer frame to locate the destination specified in the CAN_U_REACH frame. If the destination is reachable, the server responds to the client with an I_CAN_REACH frame. If the server does not receive a positive acknowledgment within a recommended threshold value of 5 seconds, the server should send an LLC explorer to locate the destination again. If the server does not receive any response after sending out 5 explorers (recommended retry value), the destination is considered not reachable and an I_CANNOT_REACH frame is sent back to the client. The client should decide if retry CAN_U_REACH is necessary after the I_CANNOT_REACH frame is received from the server.

When a server is in the process of searching a destination and receives another I_CAN_REACH with the same destination, the server should not send out another LLC explorer for that destination.

The server should not send the CAN_U_REACH frame to the clients in a TCP session. When a server receives an LLC explorer whose destination is a known client, the server should respond to it directly.

Field Name	Information
Message Type	0x01, 0x02, or 0x03
Packet Length	0x0C

Figure 3-3. CAN_U_REACH, I_CAN_REACH, and I_CANNOT_REACH Header

Field Name (Each row is one byte)
0 Target MAC Address
1
2
3
4
5
6 Source SAP
7 Reserved

Figure 3-4. CAN_U_REACH, I_CAN_REACH, and I_CANNOT_REACH Data

The MAC Address field carries the MAC address of the target workstation that is being searched. This is a six-byte MAC Address field. The same MAC Address is returned in the I_CAN_REACH and the I_CANNOT_REACH frames.

Byte 6 is the source SAP. The destination SAP is set to zero when an explorer frame is sent to the network.

3.4.2. START_DL, DL_STARTED, and START_DL_FAILED Frames

These frame types are used by DCAP to establish a link station (circuit). The START_DL frame is sent directly to the server that responds to the CAN_U_REACH frame. When the server receives this frame, it establishes a link station using the source and destination addresses and saps provided in the START_DL frame. If the circuit establishment is successful, a DL_STARTED frame is sent back as a response. If the attempt fails within a recommended value, 5 seconds, the server should retry again. If the server fails to establish a

circuit for a recommended retry value, 5 times, a `START_DL_FAILED` frame should be sent back to the client. If the client receives a `START_DL_FAILED` frame from the server, it is up to the client to decide if a `START_DL` frame needs to be sent to the server again.

The server can also send `START_DL` frames to clients to establish circuits.

Field Name	Information
Message Type	0x04, 0x05, or 0x06
Packet Length	0x18

Figure 3-5. `START_DL`, `DL_STARTED`, and `START_DL_FAILED` Header

```

+-----+
| Field Name (Each row is one byte) |
+-----+
0 | Host MAC Address |
+-----+
1 | |
+-----+
2 | |
+-----+
3 | |
+-----+
4 | |
+-----+
5 | |
+-----+
6 | Host SAP |
+-----+
7 | Client SAP |
+-----+
8 | Origin Session ID |
+-----+
9 | |
+-----+
10 | |
+-----+
11 | |
+-----+
12 | Target Session ID |
+-----+
13 | |
+-----+
14 | |
+-----+
15 | |
+-----+
16 | Largest Frame Size |
+-----+
17 | Initial Window size |
+-----+
18 | Reserved |
+-----+
19 | |
+-----+

```

Figure 3-6. START_DL, DL_STARTED, and START_DL_FAILED Data

The Host MAC address is the address of the target station if the session is initiated from the client, or it is the address of the originating station if the session is initiated from the server.

The next two fields are the Host and Client SAPs. Each is one byte long. The Host SAP is the SAP used by the station with the Host MAC address. The Client SAP is the SAP used by the client.

The Origin Session ID, is the ID of the originating station that initiates the circuit. The originating station uses this ID to identify the newly created circuit. Before the START_DL frame is sent to the target station, the originating station sets up a control block for the circuit. This link station information is set because DCAP does not use a three-way handshake for link station establishment. In the DL_STARTED and the START_DL_FAILED frames, the Origin Session ID is returned as received in the START_DL frame. The Target Session ID is set by the target station and returned in the DL_STARTED frame.

The Target Session ID is not valid for the START_DL and the START_DL_FAILED frame, and should be treated as Reserved fields. In the DL_STARTED frame, it is the session ID that is used to set up this circuit by the target station.

The Largest Frame Size field is used to indicate the maximum frame size that can be used by the client. It is valid only when it is set by the server. The Largest Frame Size field must be set to zero when a frame is sent by the client. Both START_DL and DL_STARTED use the Largest Frame Size field and only its rightmost 6 bits are used. The format is defined in the IEEE 802.1D Standard, Annex C, Largest Frame Bits (LF). Bit 3 to bit 5 are base bits. Bit 0 to bit 2 are extended bits. The Largest Frame Size field is not used in the START_DL_FAILED frame and must be set to zero.

bit	7	6	5	4	3	2	1	0
	r	r	b	b	b	e	e	e

Figure 3-7. Largest Frame Size

Please note that if the client is a PU 2.1 node, the client should use the maximum I-frame size negotiated in the XID3 exchange.

The Initial window size in the START_DL frame specifies the receive window size on the originating side, and the target DCAP station returns its receive window size in the DL_STARTED frame. The field is reserved in the START_DL_FAILED frame. The usage of the window size is the same as the one used in DLSw. Please refer to RFC 1795 for details.

The last two bits are reserved for future use. They must be set to zero by the sender and ignored by the receiver.

3.4.3. HALT_DL, HALT_DL_NOACK, and DL_HALTED Frames

These frame types are used by DCAP to disconnect a link station. A HALT_DL frame is sent directly to the remote workstation to indicate that the sender wishes to disconnect a session. When the receiver receives this frame, it tears down the session that is associated with the Original Session ID and the Target Session ID provided in the HALT_DL frame. The receiver should respond with the DL_HALTED frame. The DL_HALTED frame should use the same Session ID values as the received HALT_DL frame without swapping them. The HALT_DL_NOACK frame is used when the response is not required. The TCP session between the client and server should remain up after the HALT_DL/DL_HALTED/ HALT_DL_NOACK exchange.

Field Name	Information
Message Type	0x0C, 0x0D, or 0x0E
Packet Length	0x10

Figure 3-8. HALT_DL, HALT_DL_NOACK, and DL_HALTED Header

```

+-----+
| Field Name (Each row is one byte) |
+-----+
0 | Sender Session ID |
+-----+
1 | |
+-----+
2 | |
+-----+
3 | |
+-----+
4 | Receiver Session ID |
+-----+
5 | |
+-----+
6 | |
+-----+
7 | |
+-----+
8 | Reserved |
+-----+
9 | |
+-----+
10 | |
+-----+
11 | |
+-----+

```

Figure 3-9. START_DL, DL_STARTED, and START_DL_FAILED Data

3.4.4. XID_FRAME, CONTACT_STN, STN_CONTACTED, INFO_FRAME, FCM_FRAME, and DGRM_FRAME

These frame types are used to carry the end-to-end data or establish a circuit. The Destination Session ID is the Session ID created in the START_DL frame or the DL_STARTED frame by the receiver. The usage of the flow control flag is the same as the one used in DLsw. Please refer to RFC 1795 for details.

```

+-----+-----+
| Field Name | Information |
+-----+-----+
| Message Type | Based on Message type |
+-----+-----+
| Packet Length | 0x0C + length of user data |
+-----+-----+

```

Figure 3-10. Generic DCAP Header

```

+-----+
| Field Name (Each row is one byte) |
+-----+
0 | Destination Session ID          |
+-----+
1 |                                  |
+-----+
2 |                                  |
+-----+
3 |                                  |
+-----+
4 | Flow Control Flags              |
+-----+
5 | Reserved                        |
+-----+
6 |                                  |
+-----+
7 |                                  |
+-----+

```

Figure 3-11. Generic DCAP Data Format

3.4.5. DATA_FRAME

This frame type is used to send connectionless SNA and NetBIOS Datagram (UI) frames that do not have a link station associated with the source and destination MAC/SAP pair. The difference between DGRM_FRAME and DATA_FRAME is that DGRM_FRAME is used to send UI frames received for stations that have a link station opened, whereas DATA_FRAME is used for frames with no link station established.

```

+-----+-----+
| Field Name      | Information                |
+-----+-----+
| Message Type    | 0x0A                      |
+-----+-----+
| Packet Length   | 0x10 + Length of user data |
+-----+-----+

```

Figure 3-12. DATA_FRAME Header

```

+-----+
| Field Name (Each row is one byte) |
+-----+
0 | Host MAC Address |
+-----+
1 | |
+-----+
2 | |
+-----+
3 | |
+-----+
4 | |
+-----+
5 | |
+-----+
6 | Host SAP |
+-----+
7 | Client SAP |
+-----+
8 | Broadcast Type |
+-----+
9 | Reserved |
+-----+
10 | |
+-----+
11 | |
+-----+

```

Figure 3-13. DATA_FRAME Data Format

The definition of the first 8 bytes is the same as the START_DL frame. The Broadcast Type field indicates the type of broadcast frames in use; Single Route Broadcast, All Route Broadcast, or Directed. The target side will use the same broadcast type. In the case of Directed frame, if the RIF information is known, the target peer can send a directed frame. If not, a Single Route Broadcast frame is sent.

3.4.6. CAP_XCHANGE Frame

In DCAP, the capability exchange frame is used to exchange the capability information between a client and a server. CAP_XCHANGE frames are exchanged between a client and a server as soon as the TCP session is established. The capability exchange must be completed before the other frame types can be sent. Once the capability exchange is done, CAP_XCHANGE frame should not be used again.

CAP_XCHANGE frame contains the clients MAC address, if a client has one. If it does not, then the MAC address field must be set to zero. When the DCAP server receives the CAP_XCHANGE frame, it should cache the MAC address if it is non zero. The DCAP server also verifies that the MAC address is unique. The server should return a CAP_XCHANGE response frame with the MAC address supplied by the client if the MAC address is accepted. If a client does not have its own MAC address, the server should assign a MAC address to the client and put that address in the CAP_XCHANGE command frame.

A client should record the new MAC address assigned by the server and return a response with the assigned MAC address. If the client cannot accept the assigned MAC address, another CAP_XCHANGE command with the MAC address field set to zero should be sent to the server. The server should allocate a new MAC address for this client.

During the capability exchange, both the client and the server can send command frames. The process stops when either side sends a CAP_XCHANGE response frame. When the response frame is sent, the MAC address in the CAP_XCHANGE frame should be the same as the one in the previous received command. The sender of the CAP_XCHANGE response agrees to use the MAC address defined in the previous command.

The number of CAP_XCHANGE frames that need to be exchanged is determined by the client and the server independently. When the number of exchange frames has exceeded the pre-defined number set by either the server or the client, the session should be brought down.

The flag is used to show the capability of the sender. The following list shows the valid flags:

0x01 NetBIOS support. If a client sets this bit on, the server will pass all NetBIOS explorers to this client. If this bit is not set, only SNA traffic will be sent to this client.

0x02 TCP Listen Mode support. If a client supports TCP listen mode, the server will keep the client's MAC and IP addresses even after the TCP session is down. The cached information will be used for server to connect out. If a client does not support TCP listen mode, the cache will be deleted as soon as the TCP session is down.

0x04 Command/Response. If this bit is set, it is a command, otherwise, it is a response.

The values 0x01 and 0x02 are used only by the client. When a server sends the command/response to a client, the server does not return these values.

Starting with the Reserved field, implementers can optionally implement the Capability Exchange Control Vector. Each Capability Exchange Control Vector consists of three fields: Length (1 byte), Type (1 byte), and Data (Length - 2 bytes). Two types of Control Vectors are defined: SAP_LIST and VENDOR_CODE (described below). To ensure compatibility, implementers should ignore the unknown Control Vectors instead of treating them as errors.

0x01 SAP_LIST. Length: 2+n bytes, where n ranges from 1 to 16.

This control vector lists the SAPs that the client can support. The maximum number of SAPs a client can define is 16. Therefore, the length of this Control Vector ranges from 3 to 18. If the SAP_LIST is not specified in the capability exchange, the server assumes that the client can support all the SAP values. For example, if a client can only support SAP 4 and 8, then the following Control Vectors should be sent: "0x04, 0x01, 0x04, 0x08". The first byte indicates the length of 4. The second byte indicates the control vector type of SAP_LIST. The last two bytes indicate the supported SAP values; 0x04 and 0x08. This Control Vector is used only by the client. If the server accepts this Control Vector, it must return the same Control Vector to the client.

0x02 VENDOR_CODE. Length: 3 bytes.

Each vendor is assigned a vendor code that identifies the vendor. This Control Vector does not require a response.

After the receiver responds to a Control Vector, if the capability exchange is not done, the sender does not have to send the same Control Vector again.

Field Name	Information
Message Type	0x12
Packet Length	0x1C

Figure 3-14. CAP_XCHANGE Header

	Field Name (Each row is one byte)
0	MAC Address
1	
2	
3	
4	
5	
6	Flag
7	Reserved

Figure 3-15. CAP_XCHANGE Data Format

3.4.7. CLOSE_PEER_REQ Frames

This frame is used for peer connection management and contains a reason code field. The following list describes the valid reason codes:

- 0x01 System shutdown. This indicates shutdown in progress.
- 0x02 Suspend. This code is used when there is no traffic between the server and the client, and the server or the client wishes to suspend the TCP session. When the TCP session is suspended, all circuits should remain intact. The TCP session should be re-established when new user data needs to be sent. When the TCP session is re-established, there is no need to send the CAP_XCHANGE frame again.
- 0x03 No MAC address available. This code is sent by the server when there is no MAC address is available from the MAC address pool.

Field Name	Information
Message Type	0x13
Packet Length	0x08

Figure 3-16. CLOSE_PEER_REQ Header

	Field Name (Each row is one byte)
0	Reason Code
1	Reserved
2	
3	

Figure 3-17. CLOSE_PEER_REQ Data Format

3.4.8. CLOSE_PEER_RSP, PEER_TEST_REQ, and PEER_TEST_RSP Frames

These three frames are used for peer connection management. There is no data associated with them.

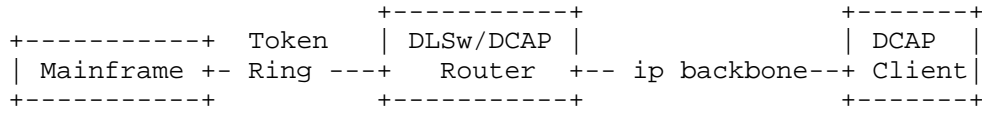
- o CLOSE_PEER_RSP
CLOSE_PEER_RSP is the response for CLOSE_PEER_REQ.
- o PEER_TEST_REQ and PEER_TEST_RSP
PEER_TEST_REQ and PEER_TEST_RSP are used for peer level keepalive. Implementing PEER_TEST_REQ is optional, but PEER_TEST_RSP must be implemented to respond to the PEER_TEST_REQ frame. When a PEER_TEST_REQ frame is sent to the remote station, the sender expects to receive the PEER_TEST_RSP frame in a predefined time interval (the recommended value is 60 seconds). If the PEER_TEST_RSP frame is not received in the predefined time interval, the sender can send the PEER_TEST_REQ frame again. If a predefined number of PEER_TEST_REQ frames is sent to the remote station, but no PEER_TEST_RSP frame is received (the recommended number is 3), the sender should close the TCP session with this remote station and terminate all associated circuits.

Field Name	Information
Message Type	0x14, 0x1D, or 0x1E
Packet Length	0x04

Figure 3-18. CLOSE_PEER_RSP, PEER_TEST_REQ, and PEER_TEST_RSP DCAP

4. Protocol Flow Diagram

The following diagram shows a normal session start up/tear down sequence between a client and a server.



```

TCP Session Up
<-----
CAP_EXCHANGE (cmd)
<-----
CAP_EXCHANGE (cmd)
----->
CAP_EXCHANGE (rsp)
----->
TEST(P) CAN_U_REACH
<-----
TEST(F) I_CAN_REACH
----->
START_DL
<-----
DL_STARTED
----->
XID(P) XID_FRAME
<-----
XID(F) XID_FRAME
----->
XID(P) XID_FRAME
<-----
SABME CONTACT_STN
----->
UA STN_CONTACTED
<-----
I FRAME INFO_FRAME
<-----
I FRAME INFO_FRAME
----->
DISC HALT_DL
<-----
UA DL_HALTED
----->
CLOSE_PEER_REQ
<-----
CLOSE_PEER_RSP
----->
TCP session down
<-----

```

5. Acknowledgments

The authors wish to express thanks to Rodger Erickson of Wall Data, Inc. for his helpful comments and suggestions.

6. References

- [1] AIW DLSw Related Interest Group, RFC 1795,
"DLSw: Switch-to-Switch Protocol", April 1995
- [2] IBM Token Ring Network Architecture Reference
SC30-3374-02, September 1989.
- [3] IBM LAN Technical Reference IEEE 802.2 and NETBIOS Application
Program Interfaces SC30-3587-00, December 1993.
- [4] ISO 8802-2/IEEE Std 802.1D International Standard.

Authors' Addresses

Steve T. Chiang
InterWorks Business Unit
Cisco Systems, Inc.
170 Tasman Drive
San Jose, CA 95134
Phone: (408) 526-5189
EMail: schiang@cisco.com

Joseph S. Lee
InterWorks Business Unit
Cisco Systems, Inc.
170 Tasman Drive
San Jose, CA 95134
Phone: (408) 526-5232
EMail: jolee@cisco.com

Hideaki Yasuda
System Product Center
Network Products Department
Network Software Products Section B
Mitsubishi Electric Corp.
Information Systems Engineering Center
325, Kamimachiya Kamakura Kanagawa 247, Japan
Phone: +81-467-47-2120
EMail: yasuda@eme068.cow.melco.co.jp

